

SENTRY Modular FRLs Filter-Regulator-Lubricators

VFDRL10 and 11 Models Port Sizes: 1/8, 1/4 Tube Fittings



Model Shown: VFDRL10-2

- ◆ Individual filter (**FD10**); piston-type regulator (**R10M**) or diaphragm-type (**R11M**); wick-feed lubricator (**L10**); lockout valve (**V10**).
- ◆ Modular assembly and mounting.
- ◆ Threaded ports or quick-connect fittings for tubing up to 10 mm in diameter.
- ◆ 5- μ m-rated polyethylene filter element; optional sintered bronze elements.
- ◆ High-strength polycarbonate plastic bowls or aluminum bowls.
- ◆ Internal automatic filter drain; optional manual drain.
- ◆ Self-relieving regulator; non-relieving optional.
- ◆ Pressure gauge.
- ◆ NPTF port threads; optional BSPP threads.

SPECIFICATIONS

Ambient/Media Temperature:

40° to 125°F (4° to 52°C).

Bodies: Acetal.

Bowls: 2-Ounce (60-ml) capacity polycarbonate plastic bowls or aluminum bowls.

Filter Drain:

Internal automatic drain; optional manual drain.

Filter Element: 5- μ m-rated polyethylene; optional 5- μ m, 20- μ m, or 40- μ m sintered bronze.

Fluid Media: Compressed air.

Inlet Pressure:

15 psig (1 bar) minimum with automatic drain.
150 psig (10 bar) maximum.

Oil Adjustment: External, no shutoff.

Outlet Pressure: Adjustable up to 100 psig (7 bar).

Pressure Gauge: 0 to 160 psig (11 bar); 1/8 NPT gauge ports front and rear.

Panel Mounting: 1-3/16 inch (30 mm) hole required.

Regulator Dome and Knob: Acetal.

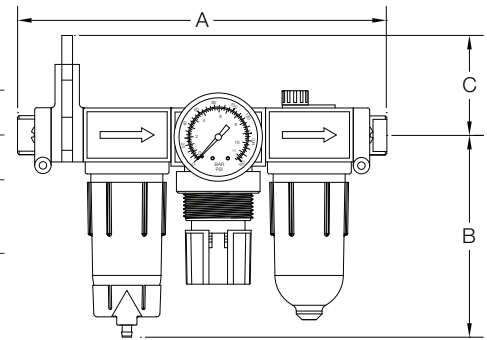
Seals: Nitrile.

AIR FLOW DATA

See Flow Charts for individual assembly components on preceding pages.

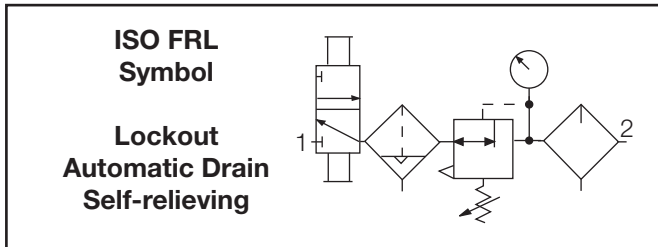
DIMENSIONS inches (mm)

Ports	A **	B †	C	Depth	Weight lb (kg)
1/8, 1/4	6.9 (175)	3.9 (99)	1.7 (43)	3.6 (92)	0.53 (0.24)
Models below have quick-connect fittings for tubing.					
1/4	7.3 (185)	3.9 (99)	1.7 (43)	3.6 (92)	0.50 (0.23)
3/8	7.8 (198)	3.9 (99)	1.7 (43)	3.6 (92)	0.50 (0.23)
4 mm	7.3 (185)	3.9 (99)	1.7 (43)	3.6 (92)	0.50 (0.23)
6 mm	7.3 (185)	3.9 (99)	1.7 (43)	3.6 (92)	0.50 (0.23)
8 mm	7.3 (185)	3.9 (99)	1.7 (43)	3.6 (92)	0.50 (0.23)
10 mm	7.8 (198)	3.9 (99)	1.7 (43)	3.6 (92)	0.50 (0.23)



** Without V10 lockout valve deduct 0.6 (15) from dimension A.

† Dimension for plastic bowl: metal bowl is 4.3 (109).



REPLACEMENT FILTER ELEMENT KITS

Element Type	Kit Number
5-µm polyethylene (Std element).....	KA130-27PE5
5-µm bronze	KA130-27E5
20-µm bronze	KA130-27E4
40-µm bronze	KA130-27E3

ORDERING INFORMATION

Change the letters in the sample model number below to specify the FRL you want.
NOTE: For model numbers longer than 15 characters, please consult Master Pneumatic.

B V F D R L 10 P - 2 X Y G W

BOWL TYPE

Plastic bowls ...Leave Blank
Metal bowls B

LOCKOUT VALVE

V10 valveV
None Leave Blank

FILTER DRAIN

Internal automatic drainFD
Manual drain..... F

REGULATOR TYPE

Piston type 10
Diaphragm type..... 11

MOUNTING HOLE LOCATION

Bottom mount (Standard) Leave Blank
Top mount P

INLET PORT SIZE

No inlet and outlet portsLeave Blank
Threaded:
1/8 NPTF 1
1/4 NPTF 2
Fittings for Tubing:
1/4..... 04
3/8..... 06
4 mm.....M4
6 mm.....M6
8 mm.....M8
10 mm.....M10

OUTLET PORT SIZE

Same as inlet port Leave Blank
Threaded:
1/8 NPTF 1
1/4 NPTF 2
Fittings for Tubing:
1/4..... 04
3/8..... 06
4 mm.....M4
6 mm.....M6
8 mm.....M8
10 mm..... M10

PORT TYPE

As specified in **INLET PORT**... Leave Blank
BSPP threads on both ports W

OPTIONS (More than one option can be chosen. Add in alphabetical order)

None Leave Blank
0-160 PSI Gauge G
Plastic Panel Mount Nut P
Metal Panel Mount Nut PN
Hex Plastic mounting nut PE

OPTIONS (More than one option can be chosen. Add in alphabetical order)

None Leave Blank
Non-relieving regulator..... A
Sintered bronze filter element:
5-µm rating..... E5
20-µm rating..... E4
40-µm rating..... E3

Adjusting springs:

0-125 psig (0-8.6 bar)..... H
0-50 psig (0-3.4 bar)..... L
0-8 psig (0-0.6 bar)..... L8
0-15 psig (0-1.0 bar)..... L15
0-30 psig (0-2.1 bar)..... L30
Tamper-resistant spinning
knob (psig preset) MV(*)
Quick-fill lubricator Q-cap Q
Viton seals..... V

*Insert preset pressure.