

# SERIES 350 FRLs

## Filter-Regulator-Lubricators

# BAGV1A1B6A13 Models

## Port Sizes: 1/4, 3/8, 1/2



Model Shown: BAGV1A1B6A13

### Available Color Caps



Yellow (Standard) Red (optional) Blue (optional) Grey (Optional)

### SPECIFICATIONS

**Ambient/Media Temperature:** (without lockout valve)  
 Plastic Bowl, all drain types: 40° to 125°F (4° to 52°C).  
 Metal Bowl, manual drains: 40° to 175°F (4° to 79°C).  
 Metal Bowl, float drains: 40° to 150°F (4° to 66°C).

**Body:** Zinc.

**Filter and Lubricator Bowl:** 5.1-Ounce (151-ml) capacity polycarbonate plastic with nylon shatterguard; optional 6.0 ounce (177-ml) aluminum bowl with clear nylon sight glass. Lubricator bowl has an optional 10-ounce (300-ml) extended aluminum bowl with clear nylon sight glass.

**Filter Bowl Drain:** Internal float drain; by removing the adjustment knob, a 3/16" (5mm) flexible tube can be connected to drain effluents. Optional manual drain.

**Filter and Lubricator Cap Color:** yellow, Optional red, blue and grey.

**Differential Pressure Gauge:** Optional.

**Filter Element:** 5-µm-rated polyethylene; optional 5-µm-rated, 20-µm-rated or 40-µm-rated sintered bronze.

**Fluid Media:** Compressed air.

**Inlet Pressure:**

Plastic bowl & manual drain: 0-150 psig (0-10 bar).  
 Plastic bowl & Float drain: 30-150 psig (2-10 bar).  
 Metal bowl & manual drain: 0-250 psig (0-17 bar).  
 Metal bowl & Float drain: 30-200 psig (2-14 bar).

**Regulator Dome:** Nylon.

**Knob:** Acetal

**Outlet Pressure:** Adjustable up to 150 psig (10 bar); optional adjusting springs.

**Optional Pressure Adjustment locking key:** removable

**Pressure Gauge:** 0 to 200 psig (14 bar); 1/4-NPT gauge ports front and rear.

**Panel Mounting:** 2-1/16 inch (52 mm) hole required.

**Seals:** Nitrile.

**Self-relieving:** Non-relieving optional.

**Valve:** Brass

**Valve Cap:** Nylon.

**Oil Adjustment:** External; tamper resistant.

**Sight-Feed Dome:** Nylon.

### GENERAL

- ◆ Modular or inline mounting.
- ◆ Filter and lubricator; Polycarbonate plastic bowl with steel shatterguard; optional metal bowl with sight glass.
- ◆ Inlet pressure rated at 250 psig (17 bar) with metal bowls up to 175° F. (79° C)
- ◆ Filter and Lubricator; Color caps available for visual management systems. (Blue,red, yellow and grey). Consult factory for custom colors.
- ◆ Front mounted modular clamping design with encapsulated screws.
- ◆ Compatible with modular 380 series of products.
- ◆ NPTF port threads; optional BSPP threads.

### FILTER

- ◆ Designed to remove particulate material to 5 micron from the airstream to protect downstream equipment.
- ◆ Optional bronze 5-µm-rated, 20-µm-rated, and 40-µm-rated. 5-µm-rated Polyethylene filter elements are standard.
- ◆ Superior removal of free water up to 98% efficiency
- ◆ Removal of effluents via manual or automatic float drains.

### REGULATOR

- ◆ Modular mounting allows regulators to be positioned at 45° increments for ease in adjustment.
- ◆ Superior pressure regulation - diaphragm type regulator
- ◆ Self relieving design; large diaphragm sensing area; non-relieving optional.
- ◆ Optional Pressure adjustment locking key; tamper resistant pressure setting.
- ◆ Inlet rated to 300 psig (21 bar)
- ◆ Reverse flow option.
- ◆ Pressure gauge.

### LUBRICATOR

- ◆ Sight feed design; transparent dome to show oil delivery.
- ◆ External oil delivery adjusting knob, removable for tamper resistance.

### AIR FLOW DATA

See Flow Charts for individual assembly components on preceding pages.

## DIMENSIONS inches (mm)

Bowl	A	B †	C	Depth	Weight lb (kg)
Std plastic	12.02 (305.4)	5.54 (140.7)	2.21 (56.2)	2.90 (73.7)	6.1 (2.8)
Std metal	12.02 (305.4)	6.42 (163.1)	2.21 (56.2)	2.90 (73.7)	6.4 (2.9)

**Panel Mounting:** 2-1/16" (52mm) hole required.

**Lockout:** Without V380 lockout valve deduct 2.3 (58) from dimension A.

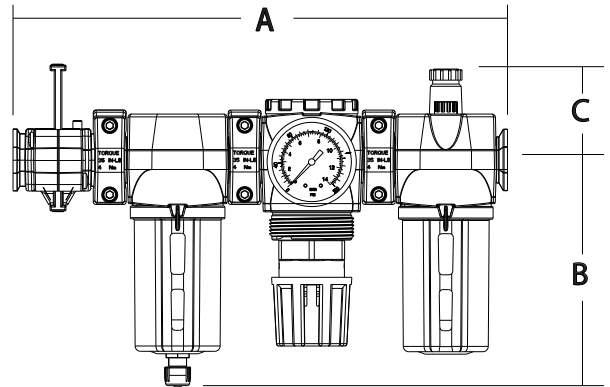
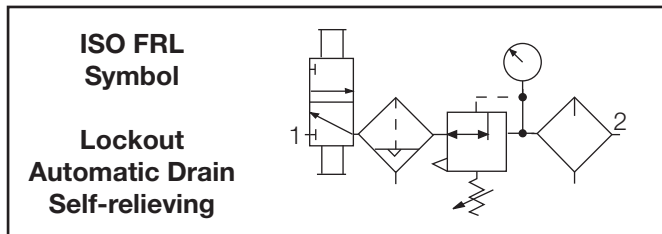
† **Bowl (standard) removal clearance:** add 3.1 (79)

† **Bowl (extended) removal clearance:** add 6.1 (155)

Dimensions above reflect less gauge.

### REPLACEMENT FILTER ELEMENT KITS

Element Rating	Kit Number
5-µm Polyethylene (Std element) .....	A60F-03PE5
40-µm Bronze .....	A60F-03E3
5-µm Bronze .....	A60F-03E5
20-µm Bronze .....	A60F-03E4



### ORDERING INFORMATION

Shown below is a basic series 350 ordering chart. If non standard options is needed then use the complete numbering chart shown on the next couple of pages, (pgs 322-325)

## B A G V 1 A 1 B 6 A 1 3

#### CAP COLOR

- Yellow (standard) ..... B
- Red ..... C
- Blue ..... D
- Grey ..... A

#### BOWL TYPE

- All standard plastic ..... A
- All standard metal ..... B
- All metal bowls. Standard ..... D
- filter and regulator, Extended Lubricator.

#### VALVE OPTION

- No valve ..... Leave blank
- V380 shutoff valve ..... V

#### FILTER

- F350 ..... 1
- F350-E3 ..... 2
- F350-E4 ..... K

#### REGULATOR

- R350 ..... 1
- R350-A ..... 4
- R350-H ..... 5
- R350-L ..... 7
- R350-P ..... A
- R350-E ..... D

#### PORT TYPE

- 1/4 NPTF ..... 2
- 3/8 NPTF ..... 3
- 1/2 NPTF ..... 4
- 1/4 BSPP ..... B
- 3/8 BSPP ..... C
- 1/2 BSPP ..... D

#### REGULATOR GAUGE

- None ..... 0
- 200-BDD (0-200 psi) ..... 1
- 60BDD (0-60 psi) ..... 2

#### MOUNTING BRACKETS

- None ..... A
- Back brackets ..... J

#### FILTER DRAIN TYPE

- Manual..... 0
- Plastic bowl, Float drain ..... 6
- (plastic stem).
- Metal bowl, Float drain ..... 8
- (Brass stem).

#### LUBRICATOR

- L350D ..... B
- L350D-Q (with Q-Cap) ..... C