

SENTRY Modular FRLs Integral Filter/Regulators plus Lubricator

VCFDRL10 and 11 Models Port Sizes: 1/8, 1/4 Tube Fittings



Model Shown: VCFDRL10-2

- ◆ Filter and regulator consolidated in a single assembly (**CFDR10M** or **CFDR11M**); wick-feed lubricator (**L10**); lockout valve (**V10**).
- ◆ Modular assembly and mounting.
- ◆ Threaded ports or quick-connect fittings for tubing up to 10 mm in diameter.
- ◆ 5- μ m-rated polyethylene filter element; optional sintered bronze elements.
- ◆ High-strength polycarbonate plastic bowls or aluminum bowls.
- ◆ Internal automatic filter drain; optional manual drain.
- ◆ Piston-type regulator (**CFDRL10** models) or diaphragm-type (**CFDRL11** models).
- ◆ Self-relieving regulator; non-relieving optional.
- ◆ Pressure gauge.
- ◆ **NPTF** port threads; optional **BSPP** threads.

SPECIFICATIONS

Ambient/Media Temperature:

40° to 125°F (4° to 52°C).

Bowls: 2-Ounce (60-ml) capacity polycarbonate plastic bowls or aluminum bowls.

Filter Drain:

Internal automatic drain; optional manual drain.

Filter Element: 5- μ m-rated polyethylene; optional 5- μ m, 20- μ m, or 40- μ m sintered bronze.

Filter/Regulator & Lubricator Bodies: Acetal.

Fluid Media: Compressed air.

Inlet Pressure:

15 psig (1 bar) minimum with automatic drain.
150 psig (10 bar) maximum.

Oil Adjustment: External, no shutoff.

Outlet Pressure: Adjustable up to 100 psig (7 bar).

Pressure Gauge: 0 to 160 psig (11 bar); 1/8 NPT gauge ports front and rear.

Panel Mounting: 1-3/16 inch (30 mm) hole required.

Regulator Dome and Knob: Acetal.

Seals: Nitrile.

AIR FLOW DATA

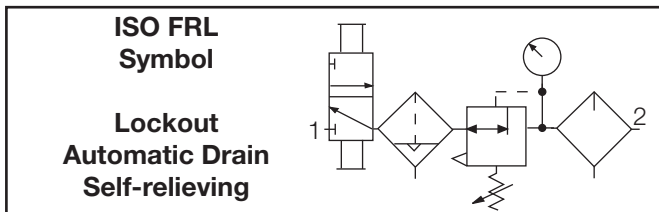
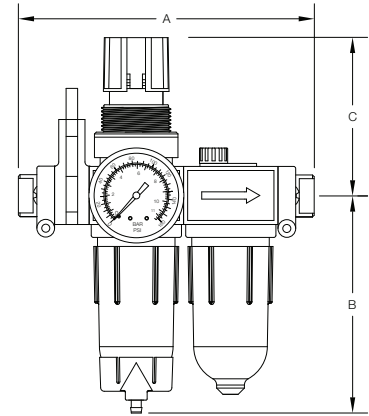
See Flow Charts for individual assembly components on preceding pages.

DIMENSIONS inches (mm)

Ports	A *	B #	C	Depth †	Weight lb (kg)
1/8, 1/4	5.2 (132)	3.9 (99)	2.6 (67)	1.8 (45)	0.57 (0.32)
Models below have quick-connect fittings for tubing.					
1/4	5.6 (142)	3.9 (99)	2.6 (67)	1.8 (45)	0.55 (0.31)
3/8	6.2 (157)	3.9 (99)	2.6 (67)	1.8 (45)	0.55 (0.31)
4 mm	5.7 (145)	3.9 (99)	2.6 (67)	1.8 (45)	0.55 (0.31)
6 mm	5.7 (145)	3.9 (99)	2.6 (67)	1.8 (45)	0.55 (0.31)
8 mm	5.7 (145)	3.9 (99)	2.6 (67)	1.8 (45)	0.55 (0.31)
10 mm	6.2 (157)	3.9 (99)	2.6 (67)	1.8 (45)	0.55 (0.31)

* Without V10 lockout valve deduct 0.6 (15) from dimension A.
 † Less gauge.

Dimension for plastic bowl; metal bowl is 4.3 (109).



REPLACEMENT FILTER ELEMENT KITS

Element Type	Kit Number
5-µm polyethylene (Std element).....	KA130-27PE5
5-µm bronze	KA130-27E5
20-µm bronze	KA130-27E4
40-µm bronze	KA130-27E3

ORDERING INFORMATION

Change the letters in the sample model number below to specify the F/R + L you want.

NOTE: For model numbers longer than 15 characters, please consult Master Pneumatic.

B V CFD RL 10 P - 2 X Y P W

BOWL TYPE

Plastic bowl.....Leave Blank
 Metal bowl..... B

LOCKOUT VALVE

V10 Valve V
 No valve Leave Blank

FILTER DRAIN

Internal automatic drainCFD
 Manual drain.....CF

REGULATOR TYPE

Piston type 10
 Diaphragm type..... 11

MOUNTING HOLE LOCATION

Bottom mount (Standard) Leave Blank
 Top mount P

INLET PORT SIZE

No inlet and outlet ports Leave Blank
 Threaded:
 1/8 NPTF.....1
 1/4 NPTF.....2
 Fittings for Tubing:
 1/4.....04
 3/8.....06
 4 mm.....M4
 6 mm.....M6
 8 mm.....M8
 10 mm.....M10

OUTLET PORT SIZE

Same as inlet port Leave Blank
 Threaded:
 1/8 NPTF..... 1
 1/4 NPTF..... 2
 Fittings for Tubing:
 1/4..... 04
 3/8..... 06
 4 mm..... M4
 6 mm..... M6
 8 mm..... M8
 10 mm..... M10

PORT TYPE

As specified in **INLET PORT** .. Leave Blank
 BSPP threads on both ports W

OPTIONS (More than one option can be chosen. Add in alphabetical order)

0-160 psig Gauge Standard
 No Gauge..... NG
 Plastic mounting nut..... P
 Metal mounting nut.....PN
 Hex plastic mounting nut..... PE

OPTIONS (More than one option can be chosen. Add in alphabetical order)

None Leave Blank
 Non-relieving regulator..... A
 Sintered bronze filter element:
 5-µm rating..... E5
 20-µm rating..... E4
 40-µm rating..... E3

Adjusting springs:

0-125 psig (0-8.6 bar)..... H
 0-50 psig (0-3.4 bar)..... L
 0-8 psig (0-0.6 bar)..... L8
 0-15 psig (0-1.0 bar)..... L15
 0-30 psig (0-2.1 bar)..... L30

Tamper-resistant spinning

knob (psig preset) MV(*)
 Quick-fill lubricator Q-cap Q
 Viton seals V

*Insert preset pressure.