

ADDITIONAL - STANDARD VACUUM FILTER (UV) ALUMINIUM DIE-CAST/COMPOSITE



Symbol



Features

- * UV series removes particle effectively.
- * 40 μ m and 5 μ m filter element are easily interchangeable and replaceable.

How to order

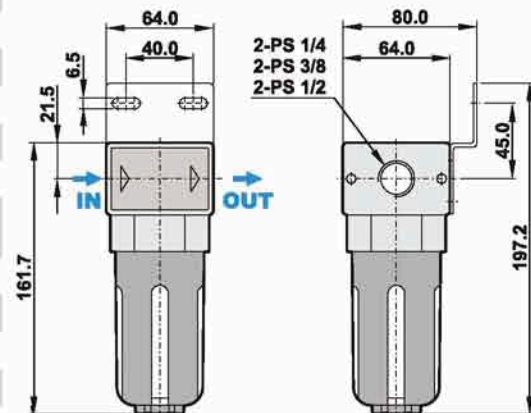
| | | | | | |
|---------------|-----------|----------|-----------------|-------------------|------------------------------|
| UV | 02 | N | C | B | A |
| Vacuum filter | Port size | Thread | Filtration | Mounting bracket | Bowl |
| | 02 1/4" | Blank PS | Blank 5 μ m | Blank W/O bracket | Blank Standard bowl |
| | 03 3/8" | N NPT | C 40 μ m | B W/I bracket | A Anti-acid & alkali bowl |
| | 04 1/2" | | | | AL Aluminum bowl (1/4"~1/2") |

Specifications

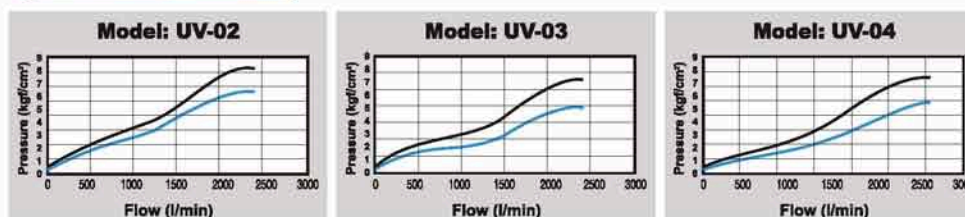
| Model | UV-02 | UV-03 | UV-04 |
|--|--|-------|-------|
| Port size | 1/4" | 3/8" | 1/2" |
| Fluid | Compressed air | | |
| Body material | Aluminum die-cast | | |
| Bowl material | Polycarbonate (Standard) | | |
| Filtration | 5 μ m (Standard) - 40 μ m (Option) | | |
| Operating pressure range | 0.5 ~ 10 kgf/cm ² | | |
| Max. operating pressure (Standard bowl) | 15 kgf/cm ² | | |
| Max. flow rate l/min (6kgf/cm ²) | 2440 | 2450 | 3030 |
| Ambient temperature | -10 $^{\circ}$ C ~ 60 $^{\circ}$ C | | |
| Filter bowl capacity | 105cc | | |
| Net weight | 530g | | |

Dimensions

UV-02, 03, 04



Flow chart



Note:

- X axis: Flow
- Y axis: Pressure
- Blue line (P0) = Outlet pressure
- Black line (P1) = Inlet pressure
- P1-P0 = Pressure range

ADDITIONAL