

## ADDITIONAL - STANDARD & LARGE COALESCING FILTER (UMF) ALUMINIUM DIE-CAST/COMPOSITE



### Symbol



### Features

- \* UMF series effectively removes oil, water, carbon and particle.
- \* With 0.01 $\mu$ m glass fiber filter element.
- \* High quality control ensures stable running and long life.
- \* Convenient to see air quality from pressure indicator, prevent the filter element from clogging.

Note: Please install air filter UF series upstream to extend life of filter element.



### How to order

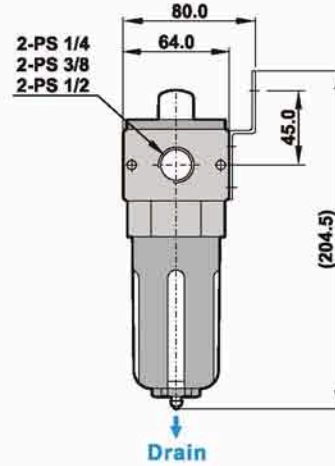
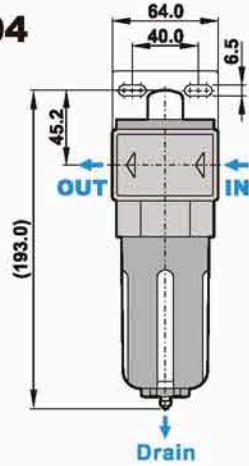
UMF		- 02		N		C		H		B		A	
Coalescing filter		Port size		Thread		Filtration		Drain		Mounting bracket		Bowl	
02	1/4"	Blank	PS	Blank	0.01 $\mu$ m	Blank	Semi-auto drain	Blank	W/O bracket	Blank	Standard bowl		
03	3/8"	N	NPT		Activated	H	Manual drain	B	W/I bracket	A	Anti-acid & alkali bowl		
04	1/2"			C	charcoal					AL	Aluminum bowl (1/4"~1/2")		
06	3/4"				filter element								
08	1"												

### Specifications

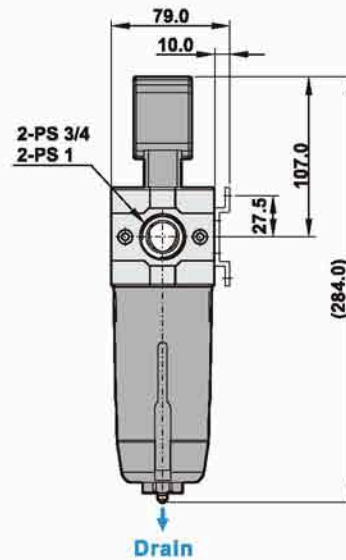
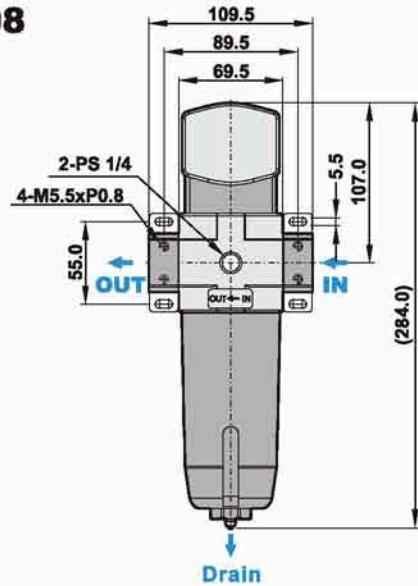
Model	UMF-02	UMF-03	UMF-04	UMF-06	UMF-08
Port size	1/4"	3/8"	1/2"	3/4"	1"
Fluid	Compressed air				
Body material	Aluminum die-cast				
Bowl material	Polycarbonate (Standard), Anti-acid & alkali bowl (Option), Aluminum bowl (Option)				
Filtration	0.01 $\mu$ m(Standard)				
Operating pressure range	0.5 ~ 10 kgf/cm <sup>2</sup>				
Max. inlet pressure	15 kgf/cm <sup>2</sup>				
Max. flow rate l/min(6kgf/cm <sup>2</sup> )	2050	2100	2150	3800	3850
Ambient temperature	-10 $^{\circ}$ C ~ 60 $^{\circ}$ C				
Filter bowl capacity		65cc		115cc	
Standard drain	Semi-auto drain (Drains below 0.5kgf/cm <sup>2</sup> )				
Net weight		600g		1200g	

## Dimensions

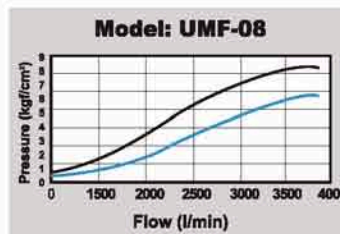
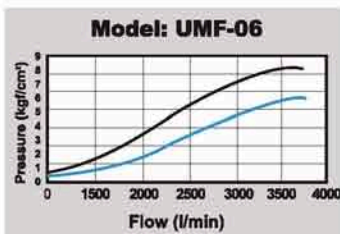
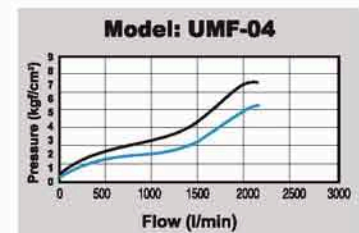
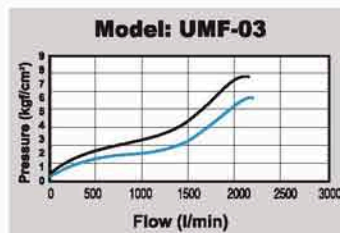
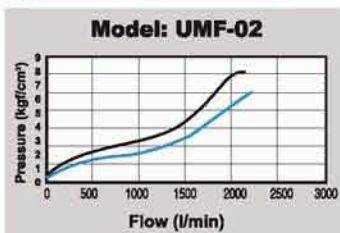
### UMF-02, 03, 04



### UMF-06, 08



## Flow chart



**Note:**

X axis: Flow  
 Y axis: Pressure  
 Blue line (P0) = Outlet pressure  
 Black line (P1) = Inlet pressure  
 P1-P0= Pressure range

ADDITIONAL