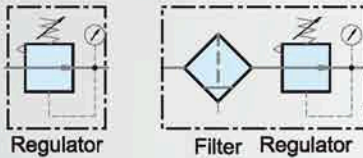


MINIATURE REGULATOR & FILTER REGULATOR (SSR200/SSFR500) STAINLESS STEEL

Symbol



Features

- * For high pressure use, corrosion and chemical resistance.
- * Good performance in chemically working environments and outdoor facility.
- * Suitable for semi-conductor industry.
- * Large flow rate and effectively removes water and particle.
- * Accurate and sensitive pressure setting.
- * Light weight, compact size for space saving.



How to order

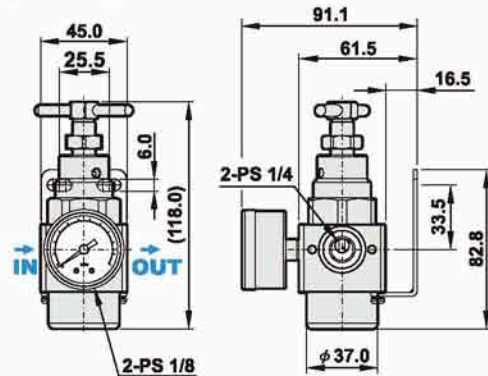
SSR200		02	N	H
Stainless steel SUS316 Miniature F.R.L.		Port size	Thread	Drain
SSR200	Miniature Regulator	02 1/4"	Blank PS N NPT	Blank Semi-auto drain H Manual drain D Auto drain Only for SSFR500
SSFR500	Miniature Filter Regulator			

Specifications

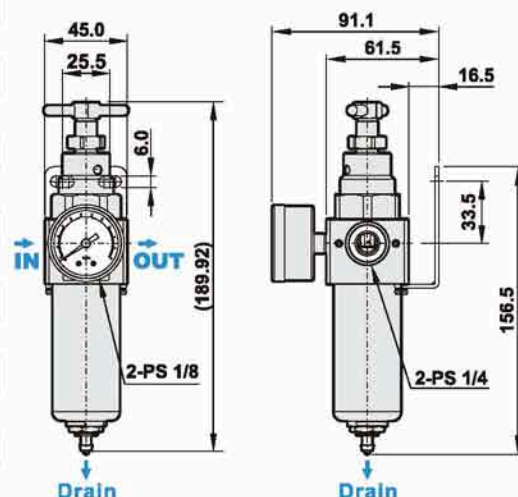
Model	SSR200	SSFR500
Port size	1/4"	
Fluid	Compressed air	
Regulator construction	Piston	
Body material	Stainless steel SUS316	
Bowl material	—	Stainless steel SUS316
Pressure gauge material	Case: Stainless steel SUS304, Thread: Stainless steel SUS316	
Filter element material	—	Stainless steel SUS316
Filtration	—	5µm (Standard) - 40µm (Option)
Operating pressure range	0.5 ~ 20 kgf/cm ²	
Max. inlet pressure	30 kgf/cm ²	
Max. flow rate (6kgf/cm ²)	1850 l/min	
Ambient temperature	-10°C ~ 60°C	
Filter bowl capacity	—	105cc
Standard drain	—	Semi-auto drain (Drains below 0.5kgf/cm ²)
Net weight	1200g	1380g
Accessories	Pressure gauge, Mounting bracket, Plug, Screw x 2	

Dimensions

SSR200



SSFR500

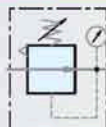


STAINLESS STEEL

STANDARD (LARGE ON REQUEST) REGULATOR (USR) STAINLESS STEEL



Symbol



Regulator

Features

- * For high pressure use, corrosion and chemical resistance.
- * Good performance in chemically working environments and outdoor facility.
- * Suitable for semi-conductor industry.
- * Accurate and sensitive pressure setting.
- * Strict quality control.



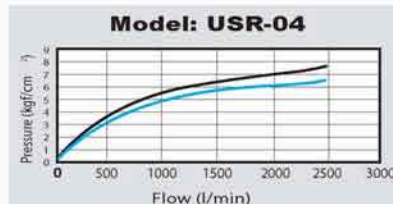
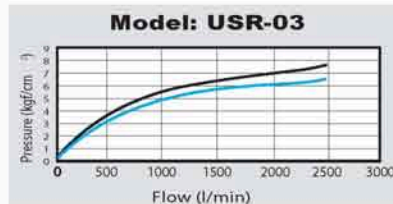
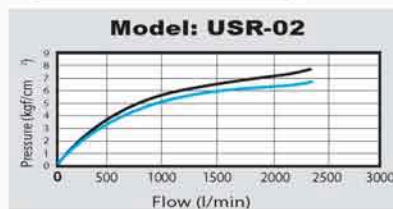
How to order

US	R	04	N
SUS316 Stainless steel	Regulator	Port size	Thread
		02 1/4" (Option)	Blank PS
		03 3/8"	N NPT
		04 1/2"	

Specifications

Model	USR-02	USR-03	USR-04
Port size	1 / 4" (Option)	3 / 8"	1 / 2"
Fluid	Compressed air		
Regulator construction	Piston		
Body material	Stainless steel SUS316		
Pressure gauge material	Case: Stainless steel SUS304, Thread: Stainless steel SUS316		
Operating pressure range	0.5 ~ 30 kgf/cm ²		
Max. inlet pressure	60 kgf/cm ²		
Max. flow rate l/min (6kgf/cm ²)	1950	2250	2520
Ambient temperature	-10C ~ 70C		
Net weight	1400g		
Accessories	Pressure gauge, Mounting bracket, Plug, Screw x 2		

Flow chart



Note:

X axis: Flow
Y axis: Pressure
Blue line (P0) = Outlet pressure
Black line (P1) = Inlet pressure
P1-P0 = Pressure range

Dimensions

USR-02, 03, 04

