

## MINIATURE LUBRICATOR (SSL200) STAINLESS STEEL



### Symbol



Lubricator

### Features

- \* For high pressure use, corrosion and chemical resistance.
- \* Good performance in chemically working environments and outdoor facility.
- \* Suitable for semi-conductor industry.
- \* Lubricator oil can be replenished without stopping air supply.
- \* Oil spray in mist ensures good lubrication for machines.
- \* Light weight, compact size for space saving.



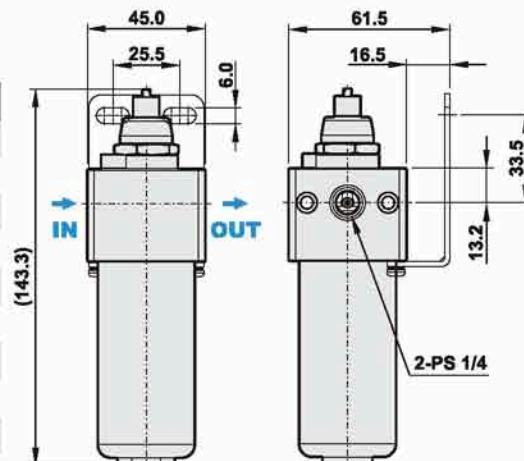
### How to order

<b>SSL200</b>	—	<b>02</b>	<b>N</b>
Stainless steel SUS316 miniature F.R.L		Port size	Thread
Miniature Lubricator		02 1/4"	Blank PS N NPT

### Dimensions

### Specifications

Model	SSL200
Port size	1/4"
Fluid	Compressed air
Body material	Stainless steel SUS316
Bowl material	Stainless steel SUS316
Operating pressure range	0.5 ~ 20 kgf/cm <sup>2</sup>
Max. inlet pressure	30 kgf/cm <sup>2</sup>
Max. flow rate	2500 l/min
Ambient temperature	-10°C ~ 60°C
Lubricator oil (Recommended)	ISO-VG32
Lubricator bowl capacity	125cc
Net weight	1200g
Accessories	Pressure gauge, Mounting bracket, Plug, Screw x 2



STAINLESS STEEL



#### Symbol



Lubricator

#### Features

- \* For high pressure use, corrosion and chemical resistance.
- \* Good performance in chemically working environments and outdoor facility.
- \* Lubricator oil can be replenished without stopping air supply.
- \* Oil spray in mist ensures good lubrication for machines.



Patent number in China :  
ZL200620055734.0

#### How to order

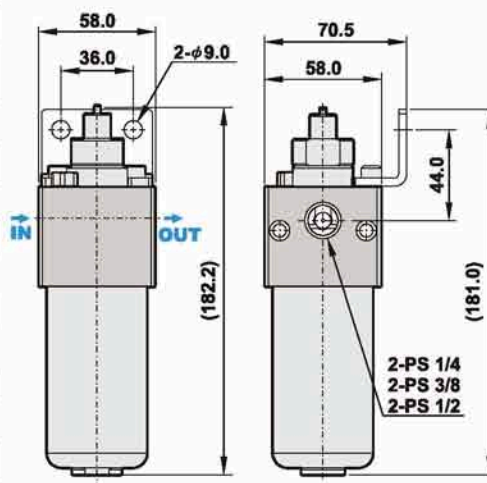
<b>US</b>	<b>L</b>	<b>04</b>	<b>N</b>
SUS316 Stainless steel	Lubricator	Port size	Thread
		02 1/4" (Option)	Blank PS
		03 3/8"	N NPT
		04 1/2"	

#### Specifications

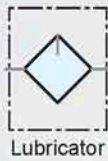
Model	USL-02	USL-03	USL-04
Port size	1/4" (Option)	3/8"	1/2"
Fluid	Compressed air		
Body material	Stainless steel SUS316		
Bowl material	Stainless steel SUS316		
Operating pressure range	0.5 ~ 30 kgf/cm <sup>2</sup> (Max)		
Max. inlet pressure	60 kgf/cm <sup>2</sup>		
Max. flow rate l/min (6kgf/cm <sup>2</sup> )	2500	2525	4100
Ambient temperature	-10°C ~ 70°C		
Lubricator oil (Recommended)	ISO-VG32		
Lubricator bowl capacity	130cc		
Net weight	1750g		
Accessories	Mounting bracket, Screw x 2		

#### Dimensions

#### USL-02, 03, 04



### Symbol



### Features

- \* For high pressure use, corrosion and chemical resistance.
- \* Good performance in chemically working environments and outdoor facility.
- \* Suitable for semi-conductor industry.
- \* Lubricator oil can be replenished without stopping air supply.
- \* Oil spray in mist ensures good lubrication for machines.



### How to order

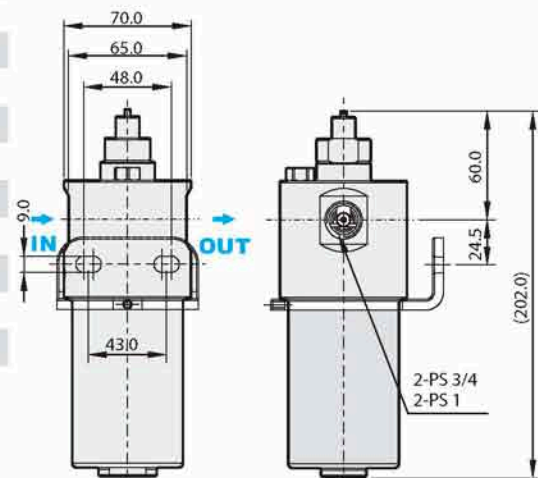
<b>US</b>	<b>LC</b>	—	<b>06</b>	<b>N</b>
SUS316 Stainless steel	Lubricator		Port size	Thread
			06 3/4"	Blank PS
			08 1"	N NPT

### Specifications

Model	USLC-06	USLC-08
Port size	3 / 4 "	1 "
Fluid	Compressed air	
Body material	Stainless steel SUS316	
Bowl material	Stainless steel SUS316	
Operating pressure range	0.5 ~ 60 kgf/cm <sup>2</sup>	
Lubricator bowl capacity	200cc	
Max. inlet pressure	70 kgf/cm <sup>2</sup>	
Max. flow rate l/min (6kgf/cm <sup>2</sup> )	7250	7650
Lubricator oil (Recommended)	ISO-VG32	
Ambient temperature	-10C ~ 70C	
Net weight	2500g	

### Dimensions

#### USLC-06, 08



STAINLESS STEEL