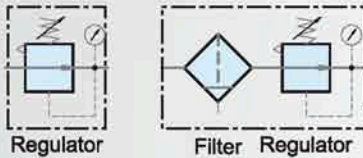


## MINIATURE REGULATOR & FILTER REGULATOR (SSR200/SSFR500) STAINLESS STEEL

### Symbol



### Features

- \* For high pressure use, corrosion and chemical resistance.
- \* Good performance in chemically working environments and outdoor facility.
- \* Suitable for semi-conductor industry.
- \* Large flow rate and effectively removes water and particle.
- \* Accurate and sensitive pressure setting.
- \* Light weight, compact size for space saving.



### How to order

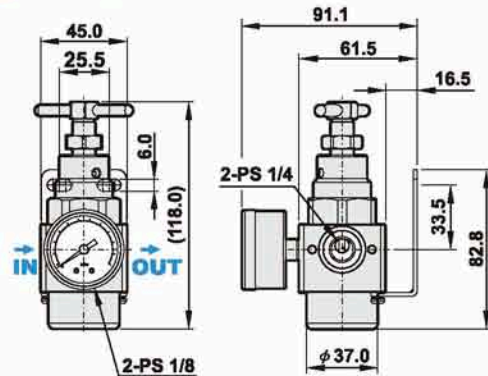
<b>SSR200</b>	-	<b>02</b>	<b>N</b>	<b>H</b>
Stainless steel SUS316 Miniature F.R.L.		Port size	Thread	Drain
<b>SSR200</b>	Miniature Regulator	02 1/4"	Blank PS N NPT	Blank Semi-auto drain H Manual drain D Auto drain Only for SSFR500
<b>SSFR500</b>	Miniature Filter Regulator			

### Specifications

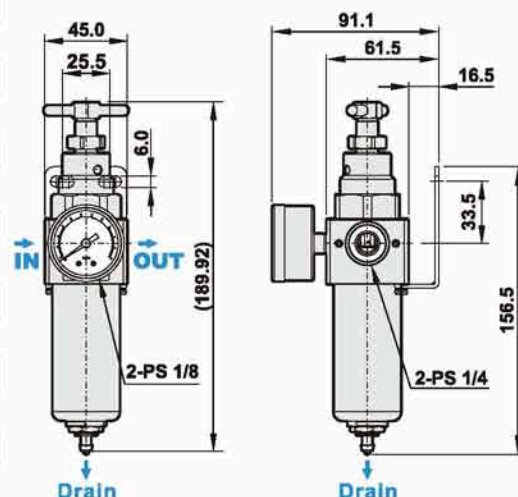
Model	SSR200	SSFR500
Port size	1/4"	
Fluid	Compressed air	
Regulator construction	Piston	
Body material	Stainless steel SUS316	
Bowl material	—	Stainless steel SUS316
Pressure gauge material	Case: Stainless steel SUS304, Thread: Stainless steel SUS316	
Filter element material	—	Stainless steel SUS316
Filtration	—	5µm (Standard) - 40µm (Option)
Operating pressure range	0.5 ~ 20 kgf/cm <sup>2</sup>	
Max. inlet pressure	30 kgf/cm <sup>2</sup>	
Max. flow rate (6kgf/cm <sup>2</sup> )	1850 l/min	
Ambient temperature	-10°C ~ 60°C	
Filter bowl capacity	—	105cc
Standard drain	—	Semi-auto drain (Drains below 0.5kgf/cm <sup>2</sup> )
Net weight	1200g	1380g
Accessories	Pressure gauge, Mounting bracket, Plug, Screw x 2	

### Dimensions

#### SSR200



#### SSFR500

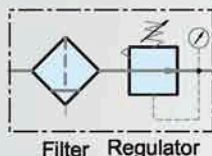


STAINLESS STEEL

## STANDARD (MINIATURE ON pg26) FILTER REGULATOR (USFR) STAINLESS STEEL



### Symbol



### Features

- \* For high pressure use, corrosion and chemical resistance.
- \* Good performance in chemically working environments and outdoor facility.
- \* Suitable for semi-conductor industry.
- \* The product effectively removes water and particle.
- \* Accurate and sensitive pressure setting.



Patent number in China :  
ZL200620055734.0

### How to order

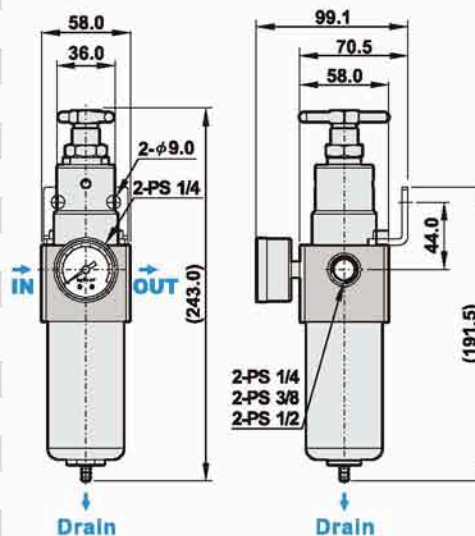
<b>US</b>	<b>FR</b>	<b>04</b>	<b>N</b>	<b>C</b>	<b>H</b>
SUS316 Stainless steel	Filter Regulator	Port size	Thread	Filtration	Drain
		02 1/4" (Option)	Blank PS	Blank 5μm	Blank Semi-auto drain
		03 3/8"	N NPT	C 40μm	H Manual drain
		04 1/2"			D Auto drain

### Specifications

Model	USFR-02	USFR-03	USFR-04
Port size	1/4" (Option)	3/8"	1/2"
Fluid	Compressed air		
Regulator construction	Piston		
Body material	Stainless steel SUS316		
Bowl material	Stainless steel SUS316		
Pressure gauge material	Case: Stainless steel SUS304, Thread: Stainless steel SUS316		
Filtration/Element material	5μm (Standard) Stainless steel SUS316		
Operating pressure range	0.5 ~ 30 kgf/cm <sup>2</sup> (Max)		
Max. inlet pressure	60 kgf/cm <sup>2</sup>		
Max. flow rate l/min (6kgf/cm <sup>2</sup> )	2200	2500	3800
Ambient temperature	-10°C ~ 70°C		
Filter bowl capacity	110cc		
Standard drain	Semi-auto drain (Drains below 0.5kgf/cm <sup>2</sup> )		
Net weight	2000g		
Accessories	Pressure gauge, Mounting bracket, Plug, Screw x 2		

### Dimensions

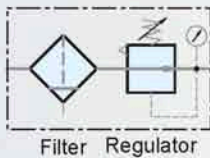
#### USFR-02, 03, 04



## LARGE FILTER REGULATOR (USFRC) STAINLESS STEEL



### Symbol



### Features

- \* For high pressure use, corrosion and chemical resistance.
- \* Good performance in chemically working environments and outdoor facility.
- \* Suitable for semi-conductor industry.
- \* Large flow rate and effectively removes water and particle.
- \* Accurate and sensitive pressure setting.



### Howtoorder

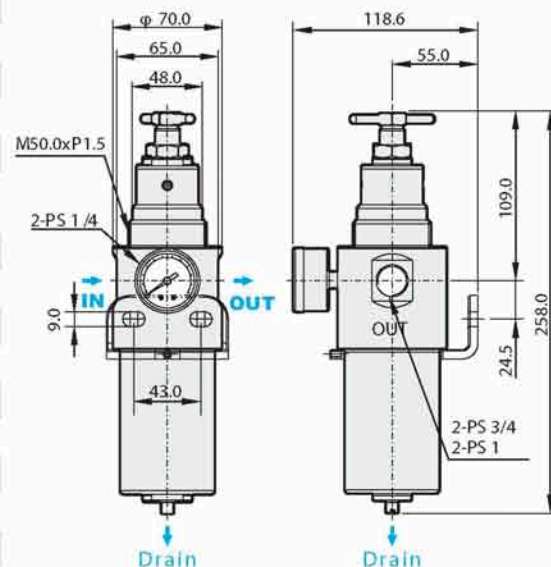
<b>US</b>	<b>FRC</b>	<b>06</b>	<b>N</b>	<b>C</b>	<b>H</b>
SUS316 Stainless steel	Filter Regulator	Port size	Thread	Filtration	Drain
		06 3/4"	Blank PS	Blank 5μm	H Manual drain
		08 1"	N NPT	C 40μm	

### Specifications

Model	USFRC-06	USFRC-08
Port size	3 / 4 "	1 "
Fluid	Compressed air	
Regulator construction	Piston	
Body material	Stainless steel SUS316	
Bowl material	Stainless steel SUS316	
Pressure gauge material	Case: Stainless steel SUS304, Thread: Stainless steel SUS316	
Filtration/Element material	5μm (Standard) Stainless steel SUS316	
Operating pressure range	0.5 ~ 30 kgf/cm <sup>2</sup>	
Max. inlet pressure	60 kgf/cm <sup>2</sup>	
Max. flow rate Vmin (6kgf/cm <sup>2</sup> )	7250	7650
Ambient temperature	-10C ~ 70C	
Filter bowl capacity	200cc	
Standard drain	Manual drain	
Net weight	3000g	
Accessories	Pressure gauge, Plug, Mounting bracket	

### Dimensions

#### USFRC-06, 08



STAINLESS STEEL