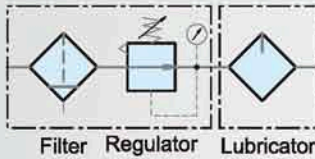


MINIATURE FR/L COMBINATION (2 UNIT) (SSFRL600) STAINLESS STEEL



Symbol



Features

- * For high pressure use, corrosion and chemical resistance.
- * Good performance in chemically working environments and outdoor facility.
- * Suitable for semi-conductor industry.
- * Large flow rate and effectively removes water and particle.
- * Accurate and sensitive pressure setting.
- * Lubricator oil can be replenished without stopping air supply.
- * Oil spray in mist ensures good lubrication for machines.
- * Light weight, compact size for space saving.



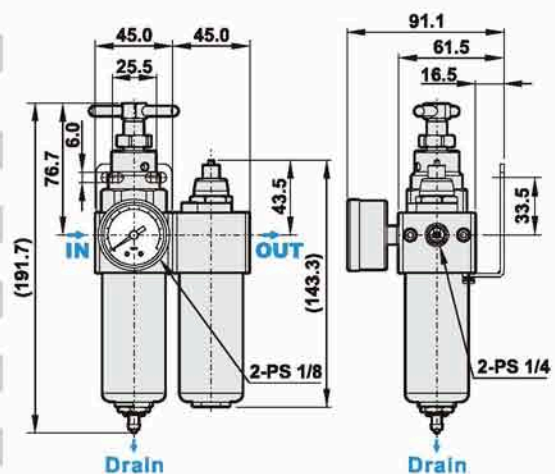
How to order

SSFRL600	—	02	N	H
Stainless steel SUS316 miniature		Port size	Thread	
Miniature Filter Regulator+Lubricator		02 1/4"	Blank PS	Blank Semi-auto drain
			N NPT	H Manual drain
				D Auto drain

Specifications

Model	SSFRL600
Port size	1/4"
Fluid	Compressed air
Regulator construction	Piston
Body material	Stainless steel SUS316
Bowl material	Stainless steel SUS316
Pressure gauge material	Case: Stainless steel SUS304, Thread: Stainless steel SUS316
Filter element material	Stainless steel SUS316
Filtration	5 μ m (Standard) · 40 μ m (Option)
Operating pressure range	0.5 ~ 20 kgf/cm ²
Max. inlet pressure	30 kgf/cm ²
Max. flow rate l/min (6kgf/cm ²)	1850 l/min
Ambient temperature	-10 $^{\circ}$ C ~ 60 $^{\circ}$ C
Lubricator oil (Recommended)	ISO-VG32
Filter bowl capacity	105cc
Lubricator bowl capacity	125cc
Standard drain	Semi-auto drain (Drains below 0.5kgf/cm ²)
Net weight	2660g
Accessories	Pressure gauge, Mounting bracket, Plug, Screw x 2

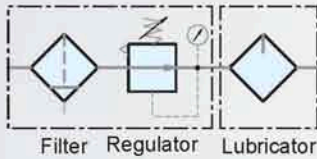
Dimensions



STANDARD FR/L COMBINATION (2 UNITS) (USFR/L) STAINLESS STEEL



Symbol



Features

- * For high pressure use, corrosion and chemical resistance.
- * Good performance in chemically working environments and outdoor facility.
- * Suitable for semi-conductor industry.
- * The product effectively removes water and particle.
- * Accurate and sensitive pressure setting.
- * Lubricator oil can be replenished without stopping air supply.
- * Oil spray in mist ensures good lubrication for machines.



How to order

US	FR / L	-	04	N	C	H	
SUS316 Stainless steel	Filter R egulator+L ubricator		Port size	Thread		Filtration	Drain
			02 1/4" (Option)	Blank	PS	Blank 5μm	Blank Semi-auto drain
			03 3/8"	N	NPT	C 40μm	H Manual drain
			04 1/2"				D Auto drain

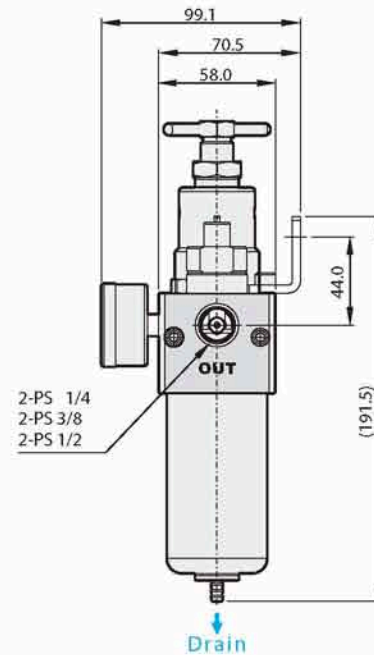
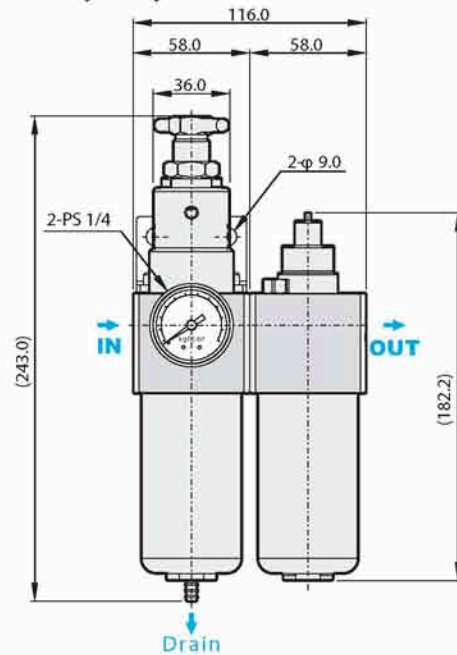
Specifications

Model	USFR / L-02	USFR / L-03	USFR / L-04
Port size	1 / 4 "(Option)	3 / 8 "	1 / 2 "
Fluid	Compressed air		
Regulator construction	Piston		
Body material	Stainless steel SUS316		
Bowl material	Stainless steel SUS316		
Pressure gauge material	Case: Stainless steel SUS304, Thread: Stainless steel SUS316		
Filtration/Element material	5μm (Standard) Stainless steel SUS316		
Operating pressure range	0.5 ~ 30 kgf/cm ²		
Max. inlet pressure	60 kgf/cm ²		
Max. flow rate l/min (6kgf/cm ²)	2080	2200	2500
Ambient temperature	-10C ~ 70C		
Lubricator oil (Recommended)	ISO-VG32		
Filter bowl capacity	110cc		
Lubricator bowl capacity	130cc		
Standard drain	Semi-auto drain (Drains below 0.5kgf/cm ²)		
Net weight	3800g	3870g	3840g
Accessories	Pressure gauge, Mounting bracket, Plug, Screw x 2		

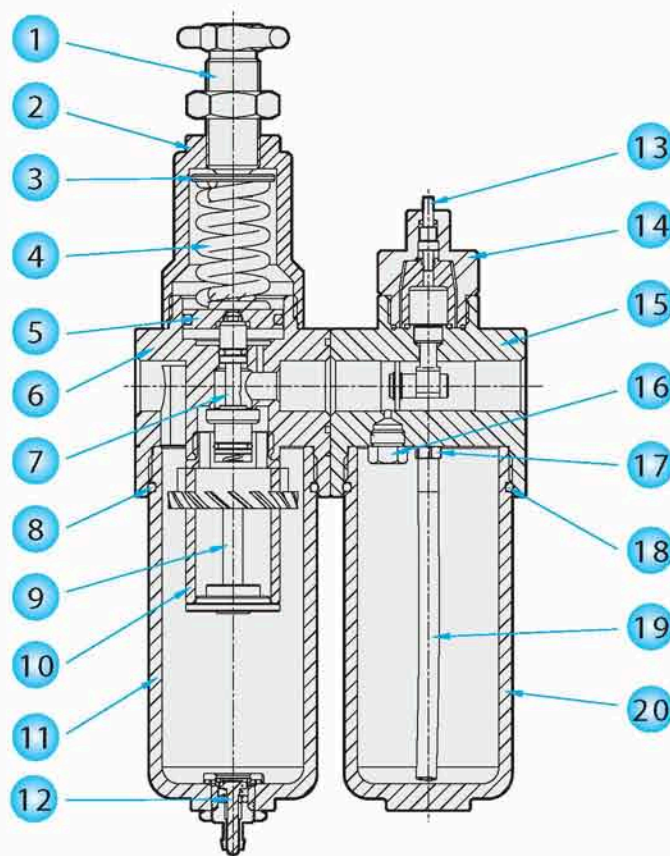
STAINLESS STEEL

Dimensions

USFR/L-02, 03, 04



Construction

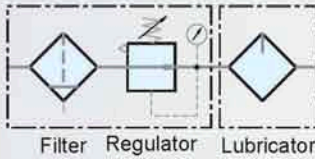


No.	Description	Material
1	Pressure regulating screw	SUS316
2	Regulator base	SUS316
3	Disc gasket	SUS303
4	Spring	SUS303
5	Piston	SUS303
6	Regulator body	SUS316
7	Pressure regulating needle	SUS303
8	O-ring	VITON
9	Filter element holder	SUS303
10	Filter element	SUS316
11	Filter bowl	SUS316
12	Drain	Cu+Ni
13	Oil adjusting screw	SUS316
14	Screw cover	SUS316
15	Lubricator body	SUS316
16	Plug	SUS316
17	Oil pipe fitting	SUS316
18	O-ring	VITON
19	Oil pipe	PU
20	Lubricator bowl	SUS316

LARGE FR/L COMBINATION (2 UNIT) (USFR/L) STAINLESS STEEL



Symbol



Features

- * For high pressure use, corrosion and chemical resistance.
- * Good performance in chemically working environments and outdoor facility.
- * Suitable for semi-conductor industry.
- * Large flow rate and effectively removes water and particle.
- * Accurate and sensitive pressure setting.
- * Lubricator oil can be replenished without stopping air supply.
- * Oil spray in mist ensures good lubrication for machines.



How to order

US	FR/L	C - 06	N	C	H	
SUS316 Stainless steel	Filter Regulator+Lubricator	Series	Port size	Thread	Filtration	Drain
		C Series	06 3/4" 08 1"	Blank PS N NPT	Blank 5μm C 40μm	H Manual drain

Specifications

Model	USFR/LC-06	USFR/LC-08
Port size	3/4"	1"
Fluid	Compressed air	
Regulator construction	Piston	
Body material	Stainless steel SUS316	
Bowl material	Stainless steel SUS316	
Pressure gauge material	Case: Stainless steel SUS304, Thread: Stainless steel SUS316	
Filtration/Element material	5μm (Standard) Stainless steel SUS316	
Operating pressure range	0.5 ~ 30 kgf/cm ²	
Max. inlet pressure	60 kgf/cm ²	
Max. flow rate l/min (6kgf/cm ²)	7250	7600
Ambient temperature	-10C ~ 70C	
Lubricator oil (Recommended)	ISO-VG32	
Nipple size and material	1/2" SUS316	
Filter bowl capacity	200cc	
Lubricator bowl capacity	220cc	
Standard drain	Manual drain	
Net weight	5500g	
Accessories	Pressure gauge, Plug, Mounting bracket	

STAINLESS STEEL

