

MINIATURE FILTER (SSF200) STAINLESS STEEL



Symbol



Filter

Features

- * For high pressure use, corrosion and chemical resistance.
- * Good performance in chemically working environments and outdoor facility.
- * Suitable for semi-conductor industry.
- * Effectively removes water and particle.
- * Strict quality control.
- * Light weight, compact size for space saving.



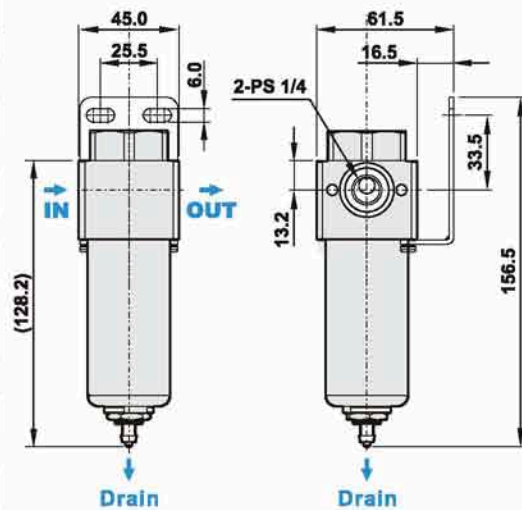
How to order

| | | | | |
|---|---|-----------|-------------------|---|
| SSF200 | — | 02 | N | H |
| Stainless steel SUS316 Miniature F.R.L. | | Port size | Thread | Drain |
| Miniature Filter | | 02 1/4" | Blank PS N NPT | Blank Semi-auto drain H Manual drain D Auto drain |

Specifications

| Model | SSF200 |
|--------------------------|--|
| Port size | 1/4" |
| Fluid | Compressed air |
| Body material | Stainless steel SUS316 |
| Bowl material | Stainless steel SUS316 |
| Filter element material | Stainless steel SUS316 |
| Filtration | 5 μ m (Standard) 、40 μ m (Option) |
| Operating pressure range | 0.5 ~ 20 kgf/cm ² |
| Max. inlet pressure | 30 kgf/cm ² |
| Max. flow rate | 1900 l/min |
| Ambient temperature | -10 $^{\circ}$ C ~ 60 $^{\circ}$ C |
| Filter bowl capacity | 105cc |
| Standard drain | Semi-auto drain (Drains below 0.5kgf/cm ²) |
| Net weight | 1260g |
| Accessories | Pressure gauge, Mounting bracket, Plug, Screw x 2 |

Dimensions

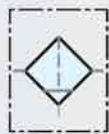


STAINLESS STEEL

STANDARD FILTER (USF) STAINLESS STEEL



Symbol



Filter

Features

- * For high pressure use, corrosion and chemical resistance.
- * Good performance in chemically working environments and outdoor facility.
- * Suitable for semi-conductor industry.
- * The product effectively removes water and particle.
- * Strict quality control.



How to order

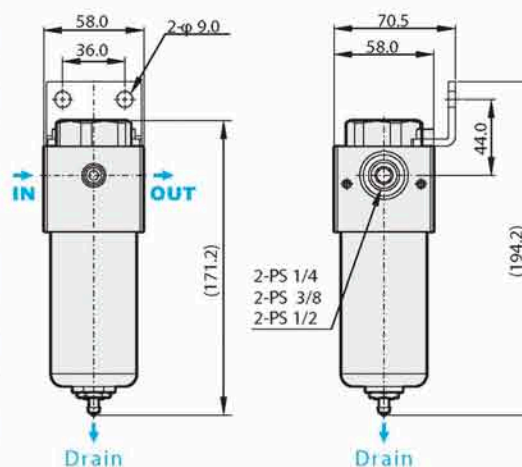
| | | | | | |
|---------------------------|----------|------------------|----------|------------|-----------------------|
| US | F | 04 | N | C | H |
| SUS316 Stainless steel | Filter | Port size | Thread | Filtration | Drain |
| | | 02 1/4" (Option) | Blank PS | Blank 5μm | Blank Semi-auto drain |
| | | 03 3/8" | N NPT | C 40μm | H Manual drain |
| | | 04 1/2" | | | D Auto drain |

Specifications

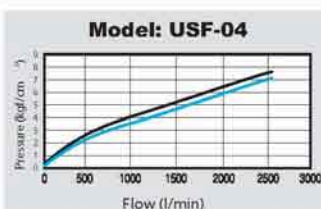
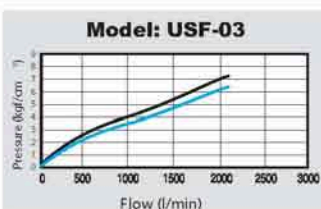
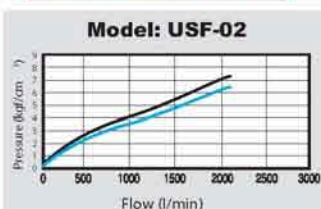
| Model | USF-02 | USF-03 | USF-04 |
|---|--|--------|--------|
| Port size | 1/4" (Option) | 3/8" | 1/2" |
| Fluid | Compressed air | | |
| Body material | Stainless steel SUS316 | | |
| Bowl material | Stainless steel SUS316 | | |
| Filter element material | Stainless steel SUS316 | | |
| Filtration | 5μm (Standard), 40μm (Option) | | |
| Operating pressure range | 0.5 ~ 30 kgf/cm ² | | |
| Max. inlet pressure | 60 kgf/cm ² | | |
| Max. flow rate l/min (6kgf/cm ²) | 2440 | 2450 | 3030 |
| Ambient temperature | -10C ~ 70C | | |
| Filter bowl capacity | 110cc | | |
| Standard drain | Semi-auto drain (Drains below 0.5kgf/cm ²) | | |
| Net weight | 1650 g | | |
| Accessories | Mounting bracket, Screw x 2 | | |

Dimensions

USF-02, 03, 04



Flow chart



Note:

- X axis: Flow
- Y axis: Pressure
- Blue line (P0) = Outlet pressure
- Black line (P1) = Inlet pressure
- P1-P0 = Pressure range