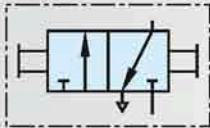


ADDITIONAL - STANDARD SHUT-OFF VALVE (SHV) ALUMINIUM DIE-CAST/COMPOSITE

Symbol



Features

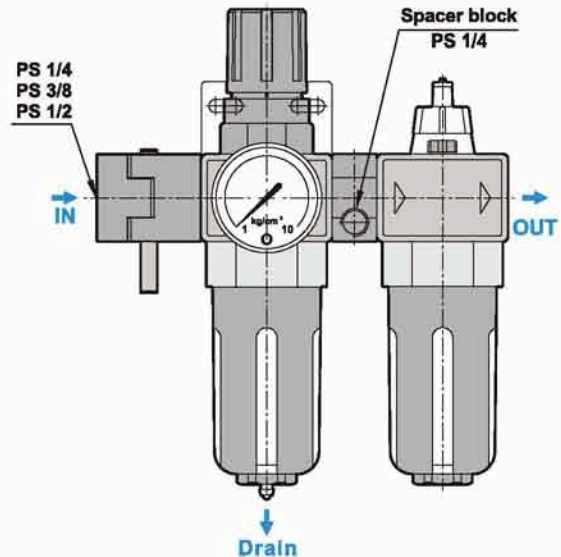
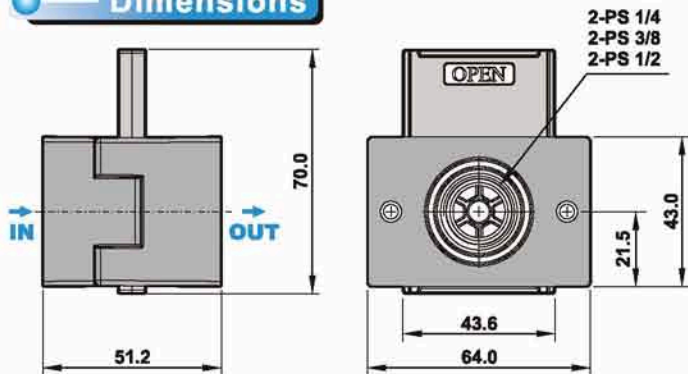
- * The valve cut air source effectively and quickly.
- * Hole lockable design to increase safety.
- * Positioning mechanism ensures to cut air supply entirely.
- * See following drawing for connection with FRL.



How to order

SHV	02	N
Shut-off valve	Port size	Thread
SHV 3/2 way	02 1/4"	Blank PS
	03 3/8"	N NPT
	04 1/2"	

Dimensions



Specifications

Model	SHV-02	SHV-03	SHV-04
Port size	1/4"	3/8"	1/2"
Fluid	Compressed air		
Body material	Aluminum die-cast		
Shut-off panel material	Polycarbonate		
Operating pressure range	0.5 ~ 12 kgf/cm ²		
Max. inlet pressure	15 kgf/cm ²		
CV value	4.0	8.0	8.0
Ambient temperature	-10°C ~ 60°C		
Net weight	350g		