



# SHAKO

FILTERS | REGULATORS | LUBRICATORS | COMBINATION SETS



PRODUCT GUIDE

### Pressure gauge

Part no.	Application	Dimension
KUX0000020	Miniature FRL series	1/8", $\phi$ 42mm
KUX0000030	Standard FRL series 1/4", 3/8", 1/2", 3/4", 1"	1/4", $\phi$ 53mm



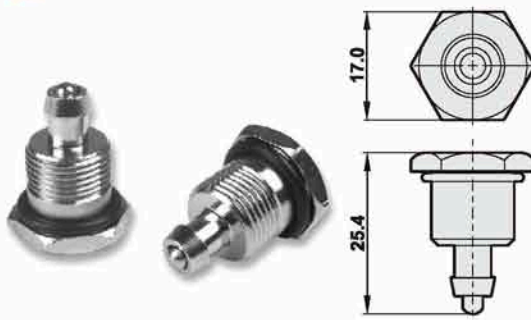
Part no.	Application	Dimension/Material
KUX0000046	USFR Stainless steel FRL series	2" x 20kg x 1/4", SUS316
KUX0000050	SSFR Miniature stainless steel FRL series	2" x 10kg x 1/8", SUS316



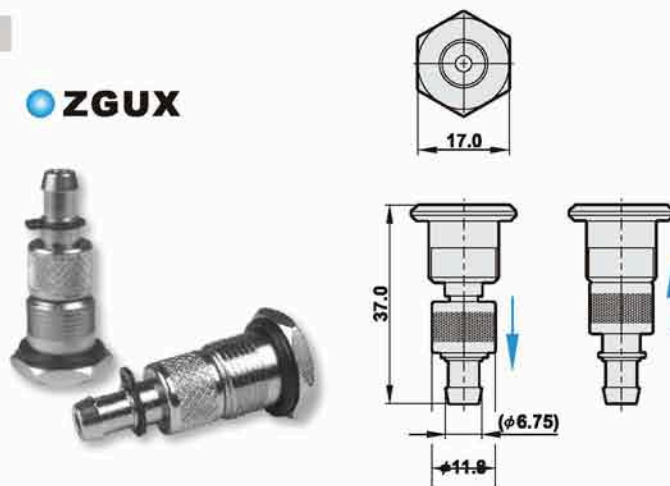
### Semi-auto/Manual drain

Part no.	Type	Port size
ZGUX-1	Semi-auto	6mm (PU tube)
ZGUX	Manual	6mm (PU tube)

#### ZGUX-1



#### ZGUX



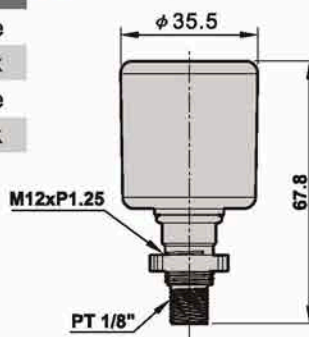
### Automatic drain

Part no.	Thread	Color
DA-014	14mm (Male thread)	White
DA-014W	14mm (Male thread)	Black
DA-014N	14mm (Female thread)	White
DA-014NW	14mm (Female thread)	Black

#### DA-014, DA-014W

#### Feature

1. Completely drain water together with polluted particles and oils at once without remnants on filter bowl.
2. Automatically remove remaining water on filter bowl after air pressure is shut off.
3. Working pressure: 2~8kgs/cm<sup>2</sup>  
Discharge capacity: 10~15cc each time (12 times/min.)



## Filter bowl & Lubricator bowl

Part no.	Application	Content
ZGL200B	Lubricator bowl for FRL700A, FRL600A, L200A	Bowl with o-ring
ZGUL-06B	Lubricator bowl for UFR/L-06, 08	Bowl with o-ring
ZGUL-02B	Lubricator bowl for UFR/L-02, 03, 04	Bowl with o-ring
ZGUL-02BA	Anti-acid & alkali lubricator bowl for UFR/L-02, 03, 04	Bowl with o-ring
ZGUL-02BAL	Aluminum lubricator bowl for UFR/L-02, 03, 04	Bowl with o-ring
ZGF200B	Filter bowl for FRL700A, FRL600A, F200A	Bowl with o-ring
ZGUF-06B	Filter bowl for UFR/L-06, 08	Bowl with o-ring
ZGUF-02B	Filter bowl for UFR/L-02, 03, 04	Bowl with o-ring
ZGUF-02BA	Anti-acid & alkali filter bowl for UFR/L-02, 03, 04	Bowl with o-ring
ZGUF-02BAL	Aluminum filter bowl for UFR/L-02, 03, 04	Bowl with o-ring
ZGF200BB	Filter bowl for FRL700B, FRL600B, F200B	Bowl with o-ring
ZGL200BB	Lubricator bowl for FRL700B, FRL600B, L200B	Bowl with o-ring
ZGUSF-04B	SUS316 Filter bowl for USFR stainless steel series	Bowl with o-ring
ZGUSF-02B	SUS316 Filter bowl for SSFR Miniature stainless steel series	Bowl with o-ring



## Spacer block

Part no.	Application	Content
ZGUFRO2SB	UFR/L-02, 03, 04	Block, O-ring, Screw, Washer, Plug
ZGUFRO6SB	UFR/L-06, 08 series	Block, O-ring, Screw, Washer, Plug



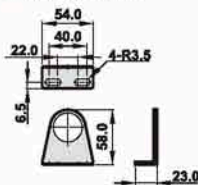
## Sintered bronze element

Part no.	Application	Remark
KUS0032041	40µm, FRL600(A,B), F200(A,B), FR500(A,B)	
KUS0032042	5µm, FRL600(A,B), F200(A,B), FR500(A,B)	
KUN0010035	40µm, UFR/L-02, 03, 04	φ 28
KUN0010036	5µm, UFR/L-02, 03, 04	φ 28
KUB0008060	40µm, UFR/L-06, 08	
KUB0008061	5µm, UFR/L-06, 08	

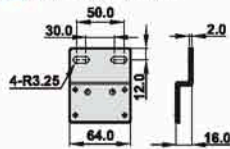


## Mounting bracket

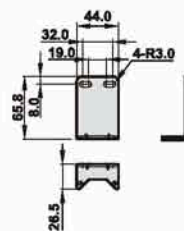
### ZGFR200MB



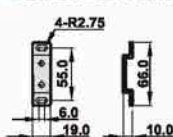
### ZGUFRL-02MB



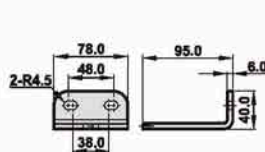
### ZGSSFR500MB ZGUFRL500MB ZGUFRL500BMB



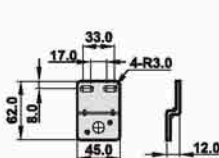
### ZGUFRL-06MB



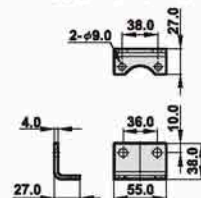
### ZGUSFRC-08MB



### ZGUFRL500AMB



### ZGUSFR/L-04MSB



Part no.	Application	Material
ZGFR200MB	R200	Metal plated
ZGUFRL02MB	UF-02,03,04 / UL-02,03,04 / UR-02,03,04 / UFR/L-02,03,04	Metal plated
ZGUFRL06MB	UF-06,08 / UL-06,08 / UR-06,08 / UFR-06,08 / UFR/L-06,08 / UMF-06,08 / URL-06,08	Metal plated
ZGFR500MB	FR500-02 / FRL600-02 / F200	Metal plated
ZGFR500AMB	FR500A / FRL600A / FRL700A	Metal plated
ZGFR500BMB	FR500B / FRL600B / FRL700B / L200B / R200B	Metal plated
ZGSSFR500MB	SSFR500-02 / SSFR600-02	Stainless steel
ZGUSFRC08MB	USFR/LC-06,08 / USFR/LC-06,08 / USFLC-06,08	Stainless steel
ZGUSFR/L-04MSB	USF-02,03,04 / USL-02,03,04 / USR-02,03,04 / USFR-02,03,04 / USFR/L-02,03,04	Stainless steel