

Pressure regulator with continuous pressure supply BG2



Image shows:
91732.DD00

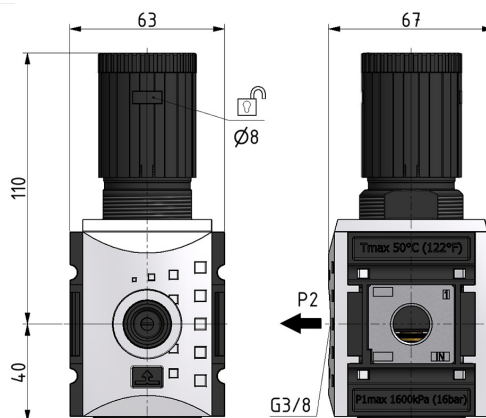
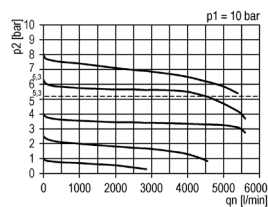
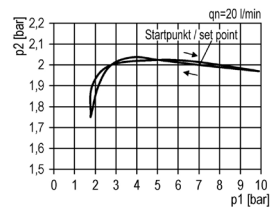


Image shows:
91732.DD00

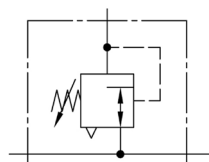
flow characteristic



pressure characteristic



symbol



technical data

description: air line regulator with diaphragm and relieving feature
medium: compressed air, neutral gases
supply pressure P1 max.: 16 bar
temperature range: -10°C - +50°C
locking: rotary lock or padlock possible

accessories



mounting bracket:
[KBW.2-1225](#)



coupling kit wall mounting:
[KKOP.2W](#)



control panel mounting:
[KBW.2-1227](#) + SM.2

rotary lock: VH.31 without key or VH.32 with key

type	part-number	description
KRBE-238/8	91732.DD00	Pressure regulator with continuous pressure supply G3/8 0,5-8
KRBE-212/8	91732.EE00	Pressure regulator with continuous pressure supply G1/2 0,5-8