

## Pressure regulator with continuous pressure supply BG1



Image shows:  
91731.CC00

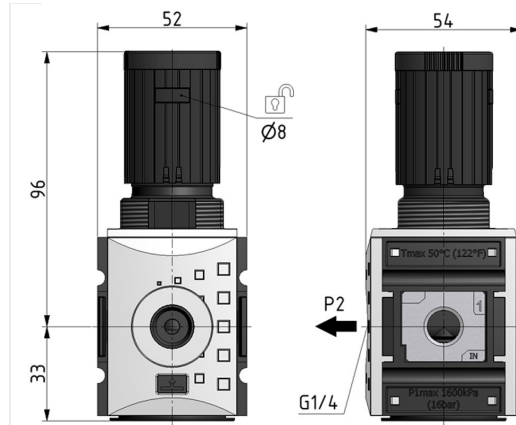
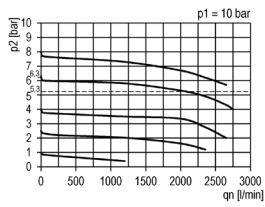
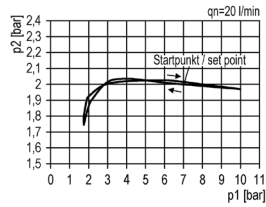


Image shows:  
91731.CC00

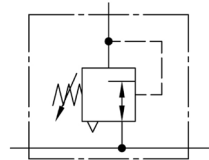
### flow characteristic



### pressure characteristic



### symbol



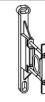
### technical data

**description:** air line regulator with diaphragm and relieving feature  
**medium:** compressed air, neutral gases  
**supply pressure P1 max.:** 16 bar  
**temperature range:** -10°C - +50°C  
**locking:** rotary lock or padlock possible

### accessories



**mounting bracket:**  
[KBW.1-1225](#)



**coupling kit wall mounting:**  
[KKOP.1W](#)



**control panel mounting:**  
[KBW.1-1227](#) + SM.1

**rotary lock:** VH.31 without key or VH.32 with key

type	part-number	description
KRBE-114/8	91731.CC00	Pressure regulator with continuous pressure supply G1/4 0,5-8
KRBE-138/8	91731.DD00	Pressure regulator with continuous pressure supply G3/8 0,5-8

Service 3 unit

Service 2 unit

Filter regulator

Filter

Pressure regulator

Lubricator

System extensions

Accessories

Special products