

Pressure regulator with continuous pressure supply BGO



Image shows:
91730.CC00

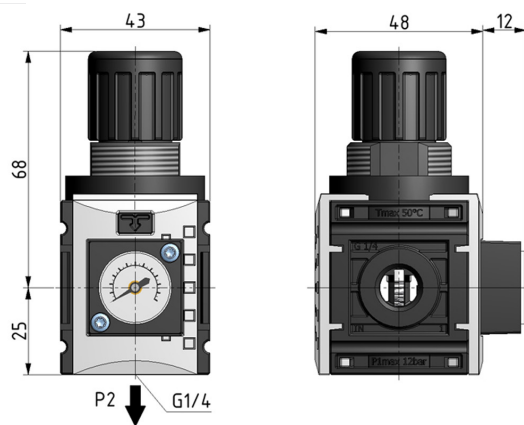
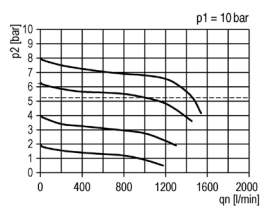
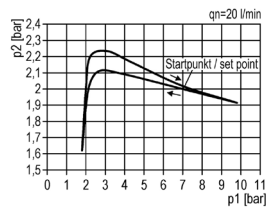


Image shows:
91730.CC00

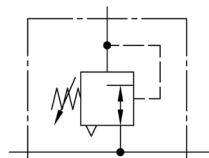
flow characteristic



pressure characteristic



symbol



technical data

description: air line regulator with diaphragm and relieving feature
medium: compressed air, neutral gases
supply pressure P1 max.: 12 bar
temperature range: -10°C - +50°C

accessories



mounting bracket:
[KBW.0-1225](#)



coupling kit wall mounting:
[KKOP.0W](#)



control panel mounting:
[KBW.0-1227](#) + C.00-34

adapter for pressure gauge:
KKP5.0-54

type	part-number	description
KRBE-014/8 G	91730.CC00	Pressure regulator with continuous pressure supply G1/4 0,5-8 and integrated gauge

Service 3 unit

Service 2 unit

Filter regulator

Filter

Pressure regulator

Lubricator

System extensions

Accessories

Special products