

Pressure regulator | BG4



Image shows:
91704.FF00

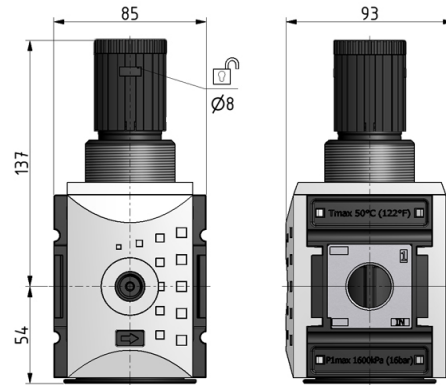
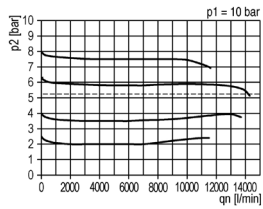
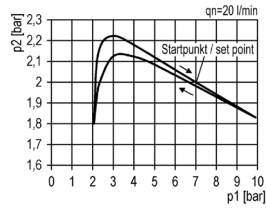


Image shows:
91704.FF00

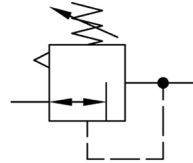
flow characteristic



pressure characteristic



symbol



technical data

- description:** air line regulator with diaphragm and relieving feature
- medium:** compressed air, neutral gases
- supply pressure P1 max.:** 16 bar
- temperature range:** -10°C - +50°C
- locking:** rotary lock or padlock possible
- air consumption:** max. 1,5 l/min

accessories



mounting bracket:
[KBW.4-1225](#)



coupling kit wall mounting:
[KKOP.4W](#)

control panel mounting:
control panel nut C.33-42

rotary lock: VH.31 without key or VH.32 with key

type	part-number	description
KREG-434/8	91704.FF00	Pressure regulator G3/4 0,5-8
KREG-41/8	91704.GG00	Pressure regulator G1 0,5-8

Service 3 unit

Service 2 unit

Filter regulator

Filter

Pressure regulator

Lubricator

System extensions

Accessories

Special products