

## Precision pressure regulator | BG1



Image shows:  
96201.CC20

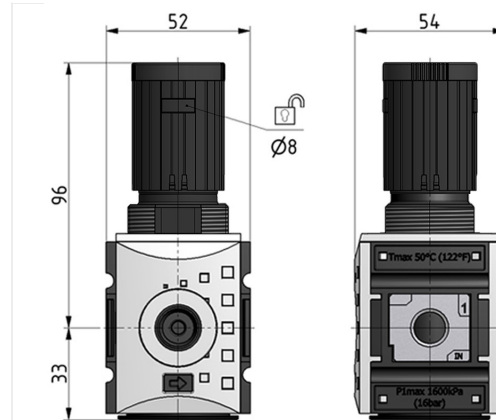
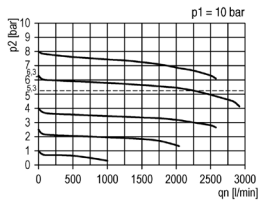
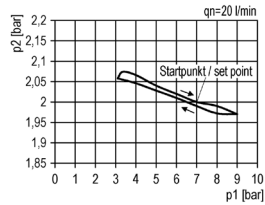


Image shows:  
96201.CC20

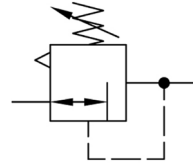
### flow characteristic



### pressure characteristic



### symbol



### technical data

- description:** air line regulator with diaphragm and relieving feature
- medium:** compressed air, neutral gases
- supply pressure P1 max.:** 16 bar
- temperature range:** -10°C - +50°C
- locking:** rotary lock or padlock possible
- air consumption:** 2,6 l/min at P2 = 6 bar

### accessories



**mounting bracket:**  
[KBW.1-1225](#)



**coupling kit wall mounting:**  
[KKOP.1W](#)



**control panel mounting:**  
[KBW.1-1227](#) + SM.1

**rotary lock:** VH.31 without key or VH.32 with key

| type       | part-number | description                             |
|------------|-------------|---|
| KPRG-114/8 | 96201.CC20  | Precision pressure regulator G1/4 0,5-8 |
| KPRG-138/8 | 96201.DD20  | Precision pressure regulator G3/8 0,5-8 |

Service 3 unit

Service 2 unit

Filter regulator

Filter

Pressure regulator

Lubricator

System extensions

Accessories

Special products