

Precision pressure regulator | BG2



Image shows:
96202.DD20

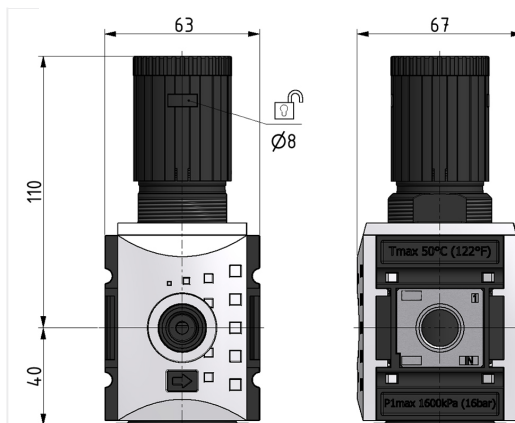
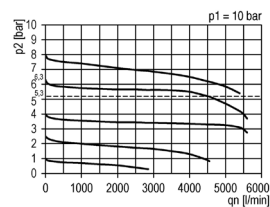
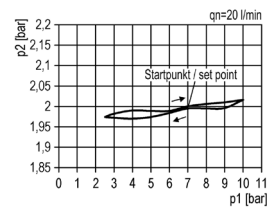


Image shows:
96202.DD20

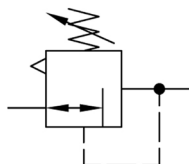
flow characteristic



pressure characteristic



symbol



technical data

description: air line regulator with diaphragm and relieving feature
medium: compressed air, neutral gases
supply pressure P1 max.: 16 bar
temperature range: -10°C - +50°C
locking: rotary lock or padlock possible
air consumption: 2,6 l/min at P2 = 6 bar

accessories



mounting bracket:
[KBW.2-1225](#)



coupling kit wall mounting:
[KKOP.2W](#)



control panel mounting:
[KBW.2-1227](#) + SM.2

rotary lock: VH.31 without key or VH.32 with key

type	part-number	description
KPRG-238/8	96202.DD20	Precision pressure regulator G3/8 0,5-8
KPRG-212/8	96202.EE20	Precision pressure regulator G1/2 0,5-8

Service 3 unit

Service 2 unit

Filter regulator

Filter

Pressure regulator

Lubricator

System extensions

Accessories

Special products