

## MINIATURE LUBRICATOR (L200A) COMPOSITE



### Symbol



### Features

- \* Compact size with effective air service.
- \* Oil spray in mist ensures good lubrication for machines.



### How to order

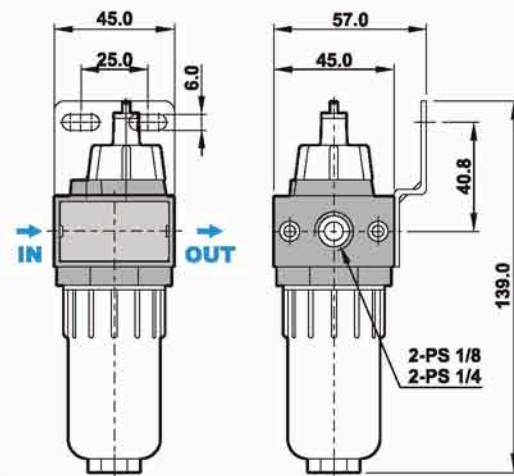
<b>L200A</b>	—	<b>02</b>	<b>N</b>	<b>B</b>	<b>K</b>
Miniature lubricator		Port size	Thread	Mounting bracket	Bowl guard
		01 1/8" Option 02 1/4" Standard	Blank PS N NPT	Blank W/O bracket B W/I bracket	Blank W/O guard K W/I guard

### Specifications

Model	L200A-01	L200A-02
Port size	1/8" (Option)	1/4" (Standard)
Fluid	Compressed air	
Body material	Polycarbonate	
Bowl material	Polycarbonate (Standard)	
Operating pressure range	0.5 ~ 10 kgf/cm <sup>2</sup>	
Max. inlet pressure	12 kgf/cm <sup>2</sup>	
Max. flow rate l/min (6kgf/cm <sup>2</sup> )	2449	
Ambient temperature	-10°C ~ 60°C	
Lubricator oil (Recommended)	ISO-VG32	
Lubricator bowl capacity	50cc	
Net weight	165g	
Accessories	Mounting bracket, Screw x 2	

### Dimensions

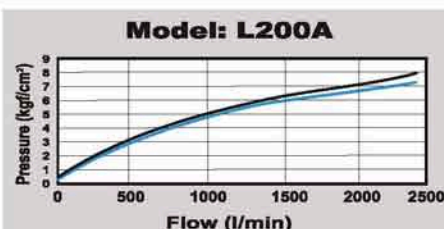
#### L200A-01, 02



#### Note:

- X axis: Flow
- Y axis: Pressure
- Blue line (P0) = Outlet pressure
- Black line (P1) = Inlet pressure
- P1-P0 = Pressure range

### Flow chart



### Symbol



### Features

- \* Lubricator oil can be replenished without stopping air supply.
- \* Oil spray in mist ensures good lubrication for machines.



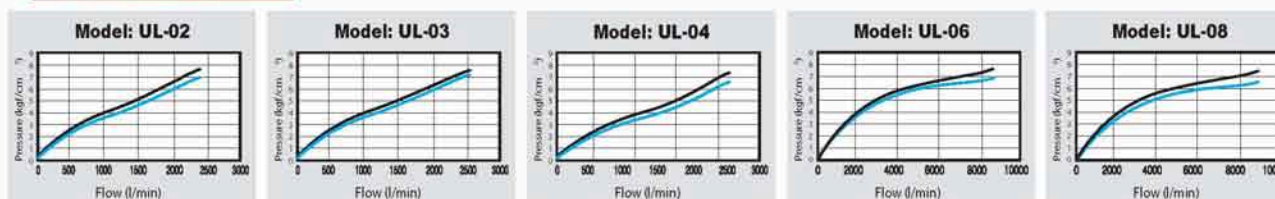
### How to order

<b>UL</b>	<b>02</b>	<b>N</b>	<b>B</b>	<b>A</b>
Lubricator	Port size	Thread	Mounting	Bowl
	02 1/4"	Blank PS	Blank W/O bracket	Blank Standard bowl
	03 3/8"	N NPT	B W/ bracket	A Anti-acid & alkali bowl
	04 1/2"			AL Aluminum bowl (1/4"~1/2")
	06 3/4"			
	08 1"			

### Specifications

Model	UL-02	UL-03	UL-04	UL-06	UL-08
Port size	1 / 4 "	3 / 8 "	1 / 2 "	3 / 4 "	1 "
Fluid	Compressed air				
Body material	Aluminum die-cast				
Bowl material	Polycarbonate (Standard), Anti-acid & alkali bowl (Option), Aluminum bowl (Option)				
Operating pressure range	0.5 ~ 10 kgf/cm <sup>2</sup>				
Max. operating pressure (Standard bowl)	15 kgf/cm <sup>2</sup>				
Max. flow rate l/min (6kgf/cm <sup>2</sup> )	2490	2525	4310	8400	9000
Ambient temperature	-10C ~ 60C				
Lubricator oil (Recommended)	ISO-VG32				
Lubricator bowl capacity	125cc			235cc	
Net weight	500g (W/I Aluminum bowl 800g)			1095g	

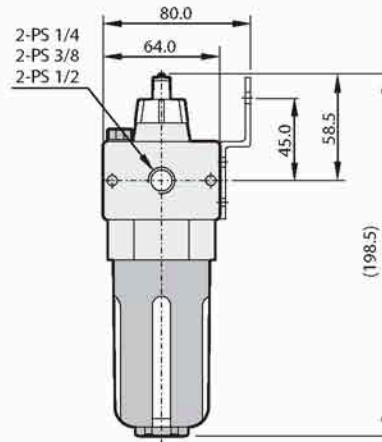
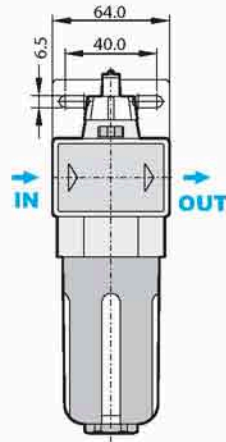
### Flow chart



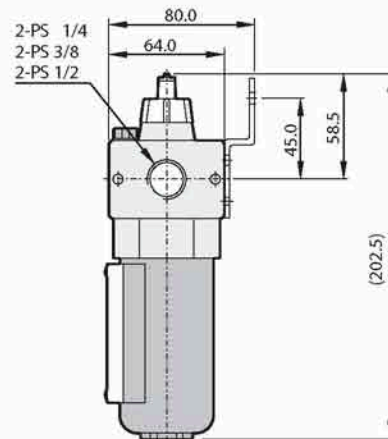
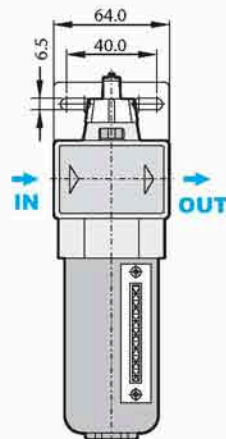
**Note:** X axis: Flow, Y axis: Pressure, Blue line (P0) = Outlet pressure, Black line (P1) = Inlet pressure, P1-P0=Pressure range

## Dimensions

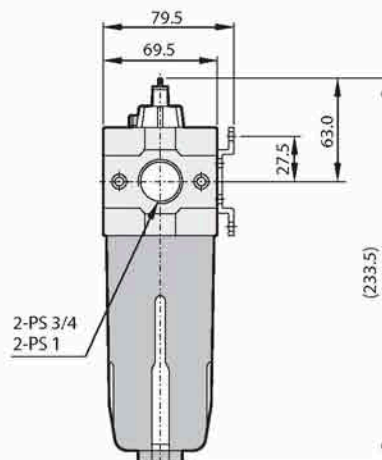
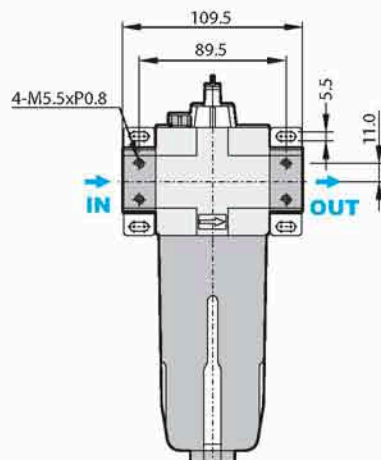
### UL-02, 03, 04



### UL-02AL, 03AL, 04AL (Aluminum bowl)



### UL-06, 08



COMPOSITE/ALUMINIUM