

## Pressure switch | BG1, BG2, BG4



Image shows:  
9.90XX.00.005

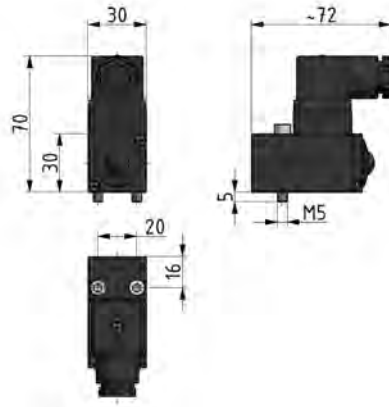


Image shows:  
9.90XX.00.005

Service 3 unit

Service 2 unit

Filter regulator

Filter

Pressure regulator

Lubricator

System extensions

Accessories

Special products

### technical data

- **description:** diaphragm pressure switch
- **medium:** air, non corrosive gases fluids
- **temperature range:** -10°C - +80°C
- **protection class:** IP 65
- **electrical connection:** plug connection DIN 43650, form A
- **max. working pressure:** 0,5 - 10 bar (overpressure 80 bar)
- **switch difference:** 4% - 10%
- **switching element:** micro switch, one pole change
- **switch function at regulation value:** connect 1 - 3 contact normally closed; 1 - 2 contact normally open

### accessories

type	part-number	description
PE.10	9.90XX.00.005	Pressure switch flange connection, 0,5-10 bar

## Pressure switch | BGO



Image shows:  
9.901X.00.011

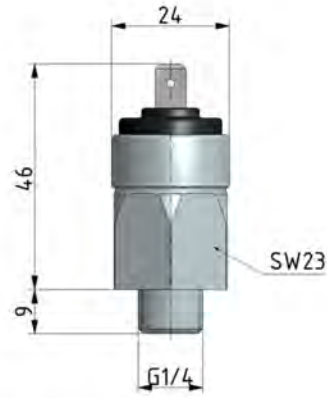


Image shows:  
9.901X.00.011

### technical data

- **description:** diaphragm, spring loaded
- **medium:** air, non corrosive gases fluids
- **temperature range:** -30°C - +130°C
- **protection class:** IP 65, connect IP 00 DIN 40050
- **max. working pressure:** 1 - 10 bar (overpressure 100 bar)
- **Version:** usually opened
- **switch difference:** 10% - 15%
- **switching element:** contacts, silver plated
- **switch power:** 100 VA; 42 V; 2 A; 200/min

### accessories

type	part-number	description
PE.110	9.901X.00.011	Pressure switch G1/4, 1-10 bar with protection cap (usually opened)
PE.111	9.901X.00.013	Pressure switch G1/4, 1-10 bar with protection cap (usually closed)

Service 3 unit

Service 2 unit

Filter regulator

Filter

Pressure regulator

Lubricator

System extensions

Accessories

Special products

## Pressure switch | --



Image shows:  
9.900X.00.004

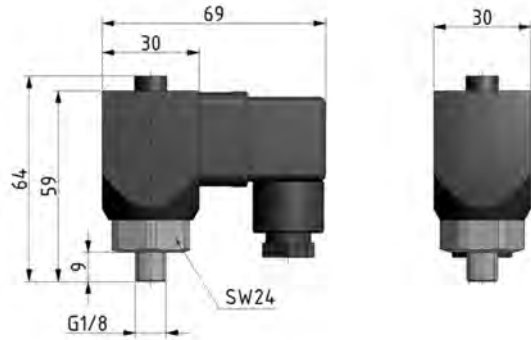


Image shows:  
9.900X.00.004

### technical data

- **description:** diaphragm, spring loaded
- **medium:** air, non corrosive gases fluids
- **temperature range:** -25°C - +85°C
- **protection class:** IP 65, connect IP 00 DIN 40050
- **max. working pressure:** 1 - 10 bar (overpressure 20 bar)
- **switch difference:** 15% - 25%
- **switching element:** micro switch, one pole change

### accessories

type	part-number	description
PE.210	9.900X.00.004	Pressure switch G1/8, 1-10 bar

Service 3 unit

Service 2 unit

Filter regulator

Filter

Pressure regulator

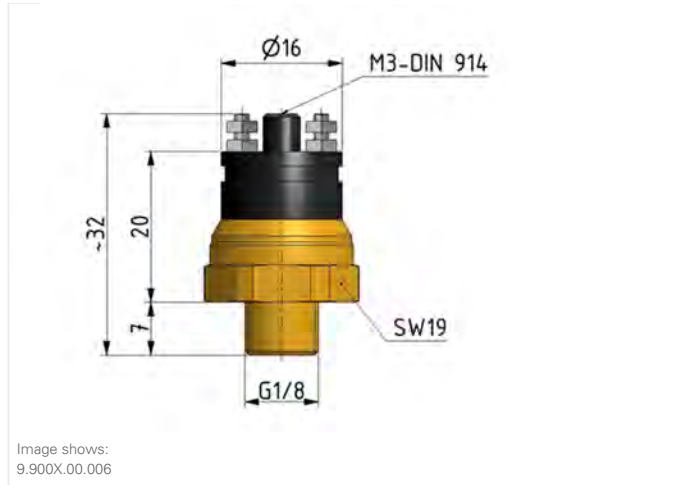
Lubricator

System extensions

Accessories

Special products

## Pressure switch | --



### technical data

- **description:** diaphragm, spring loaded
- **medium:** compressed air
- **temperature range:** -30°C - +130°C
- **protection class:** IP 00, protection cap IP 65
- **max. working pressure:** 1 - 10 bar (protected against overpressure to 15 bar)
- **Version:** usually opened
- **switch difference:** 10% - 15%
- **switching element:** contacts, silver plated
- **switch power:** 100 VA; 24 V

### accessories

type	part-number	description
PE.310	9.900X.00.006	Pressure switch G1/8, 1-10 bar with protection cap

Service 3 unit

Service 2 unit

Filter regulator

Filter

Pressure regulator

Lubricator

System extensions

Accessories

Special products