

Oil bowl | BGO



Image shows:
9.9900.00.040

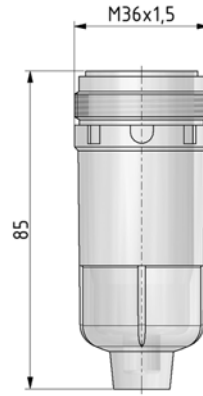


Image shows:
9.9900.00.040

Service 3 unit

Service 2 unit

Filter regulator

Filter

Pressure regulator

Lubricator

System extensions

Accessories

Special products

technical data

- supply pressure P1 max.: 12 bar
- temperature range: -10°C - +50°C
- bowl: PC
- fixing: screw thread

accessories

type	part-number	description
L.00	9.9900.00.040	PC oil bowl with o-ring 30x2

Oil bowl | BGO



Image shows:
9.9900.00.041

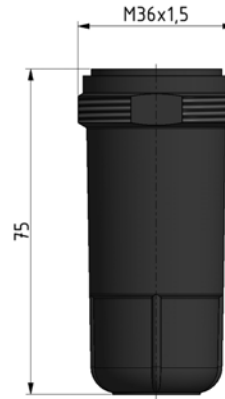


Image shows:
9.9900.00.041

technical data

- supply pressure P1 max.: 12 bar
- temperature range: -10°C - +50°C
- bowl: metal bowl
- fixing: screw thread

accessories

type	part-number	description
L.00 M	9.9900.00.041	Metal oil bowl black with o-ring 30x2

Service 3 unit

Service 2 unit

Filter regulator

Filter

Pressure regulator

Lubricator

System extensions

Accessories

Special products

Oil bowl | BG1



Image shows:
90001.0202



Image shows:
90001.0202



Service 3 unit

Service 2 unit

Filter regulator

Filter

Pressure regulator

Lubricator

System extensions

Accessories

Special products

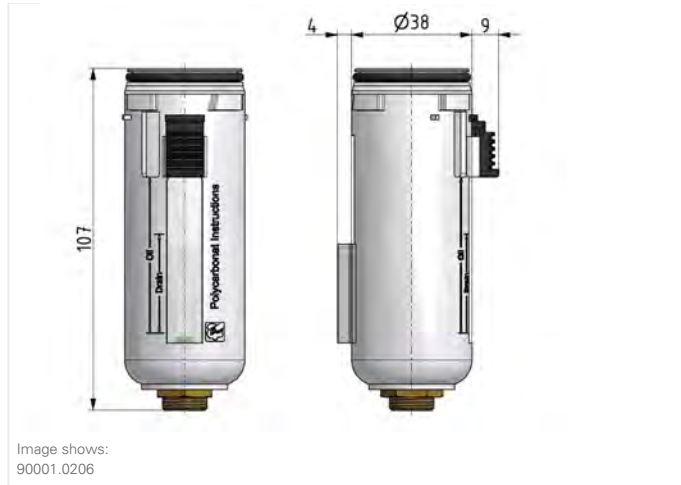
technical data

- supply pressure P1 max.: 16 bar
- temperature range: -10°C - +50°C
- bowl: PC with PA bowl guard
- fixing: bayonet catch

accessories

type	part-number	description
BE.1 LUB	90001.0202	PC oil bowl with bowl guard and o-ring 32x2,5

Oil bowl | BG1



technical data

- supply pressure P1 max.: 16 bar
- temperature range: -10°C - +50°C
- bowl: PC with PA bowl guard and electrical level controle
- fixing: bayonet catch

accessories

type	part-number	description
BE.1 LUB N	90001.0206	PC oil bowl with level sensor, bowl guard and o-ring 32x2,5

Oil bowl | BG1



Image shows:
90001.0222

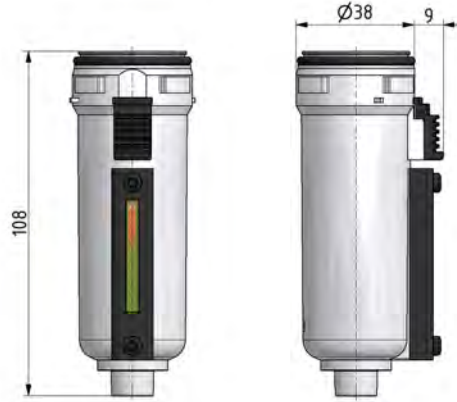


Image shows:
90001.0222

Service 3 unit

Service 2 unit

Filter regulator

Filter

Pressure regulator

Lubricator

System extensions

Accessories

Special products

technical data

- supply pressure P1 max.: 16 bar
- temperature range: -10°C - +50°C
- bowl: metal bowl with level indicator
- fixing: bayonet catch

accessories

type	part-number	description
BE.1 H LUB	90001.0222	Oil bowl metal/visual display (light grey) with filling valve and o-ring 32x2,5

Oil bowl | BG2



Image shows:
90002.0202



Image shows:
90002.0202

technical data

- supply pressure P1 max.: 16 bar
- temperature range: -10°C - +50°C
- bowl: PC with PA bowl guard
- fixing: bayonet catch

accessories

type	part-number	description
BE.2 LUB	90002.0202	PC oil bowl with bowl guard and o-ring 37,5x2,5

Service 3 unit

Service 2 unit

Filter regulator

Filter

Pressure regulator

Lubricator

System extensions

Accessories

Special products

Oil bowl | BG2



Image shows:
90002.0206

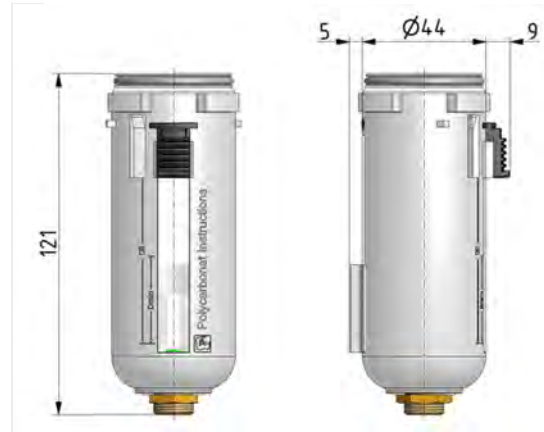


Image shows:
90002.0206

Service 3 unit

Service 2 unit

Filter regulator

Filter

Pressure regulator

Lubricator

System extensions

Accessories

Special products

technical data

- supply pressure P1 max.: 16 bar
- temperature range: -10°C - +50°C
- bowl: PC with PA bowl guard and electrical level controle
- fixing: bayonet catch

accessories

type	part-number	description
BE.2 LUB N	90002.0206	PC oil bowl with level sensor, bowl guard and o-ring 37,5x2,5

Oil bowl | BG2



Image shows:
90002.0222

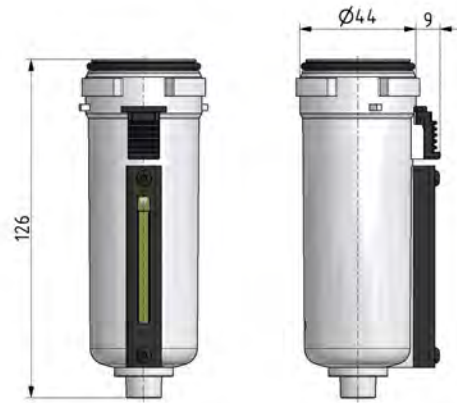


Image shows:
90002.0222

technical data

- supply pressure P1 max.: 16 bar
- temperature range: -10°C - +50°C
- bowl: metal bowl with level indicator
- fixing: bayonet catch

accessories

type

BE.2 H LUB

part-number

90002.0222

description

Oil bowl metal/visual display (light grey) with filling valve and o-ring 37,5x2,5

Service 3 unit

Service 2 unit

Filter regulator

Filter

Pressure regulator

Lubricator

System extensions

Accessories

Special products

Oil bowl | BG4



Image shows:
90004.0202



Image shows:
90004.0202



Service 3 unit

Service 2 unit

Filter regulator

Filter

Pressure regulator

Lubricator

System extensions

Accessories

Special products

technical data

- supply pressure P1 max.: 16 bar
- temperature range: -10°C - +50°C
- bowl: PC with PA bowl guard
- fixing: bayonet catch

accessories

type	part-number	description
BE.4 LUB	90004.0202	PC oil bowl with bowl guard and o-ring 55x2,5

Oil bowl | BG4



Image shows:
90004.0206

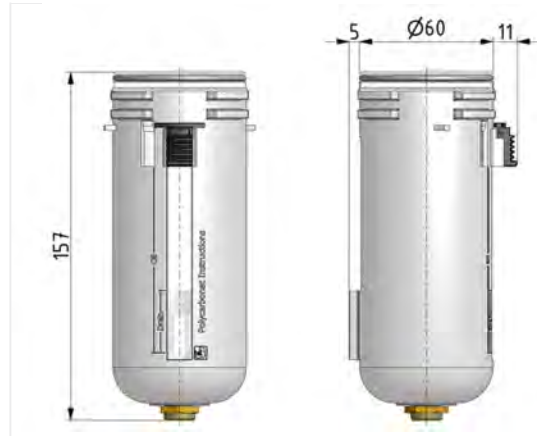


Image shows:
90004.0206

technical data

- supply pressure P1 max.: 16 bar
- temperature range: -10°C - +50°C
- bowl: PC with PA bowl guard and electrical level controle
- fixing: bayonet catch

accessories

type

BE.4 LUB N

part-number

90004.0206

description

PC oil bowl with level sensor, bowl guard and o-ring 55x2,5

Service 3 unit

Service 2 unit

Filter regulator

Filter

Pressure regulator

Lubricator

System extensions

Accessories

Special products

Oil bowl | BG4



Image shows:
90004.0222



Image shows:
90004.0222

Service 3 unit

Service 2 unit

Filter regulator

Filter

Pressure regulator

Lubricator

System extensions

Accessories

Special products

technical data

- supply pressure P1 max.: 16 bar
- temperature range: -10°C - +50°C
- bowl: metal bowl with level indicator
- fixing: bayonet catch

accessories

type	part-number	description
BE.4 H LUB	90004.0222	Oil bowl metal/visual display (light grey) with filling valve and o-ring 55x2,5