

Bracket kit | BG0



Image shows:
99000.1225

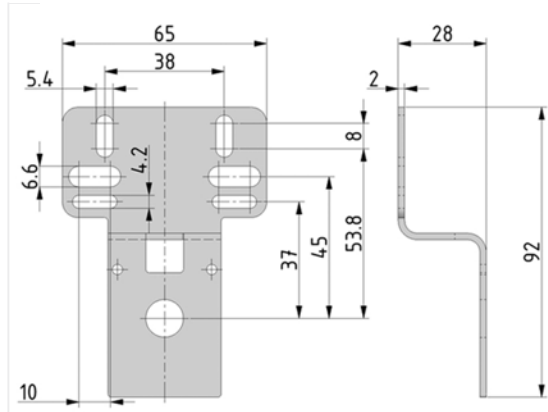


Image shows:
99000.1225

technical data

- **description:** Mounting bracket
- **material:** steel galvanized
- **fixing:** mounting with 2 screws

accessories

type

KBW.0-1225

part-number

99000.1225

description

Mounting bracket FUTURA BG0 (BW.0+2x screw 3x10 with Torx 10IP)

Service 3 unit

Service 2 unit

Filter regulator

Filter

Pressure regulator

Lubricator

System extensions

Accessories

Special products

Bracket kit | BG1



Image shows:
99001.1225

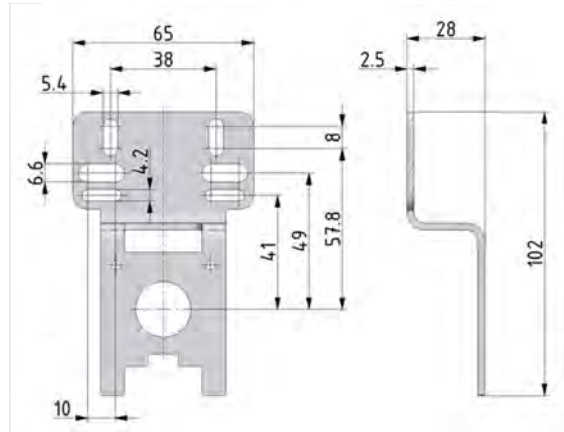


Image shows:
99001.1225

Service 3 unit

Service 2 unit

Filter regulator

Filter

Pressure regulator

Lubricator

System extensions

Accessories

Special products

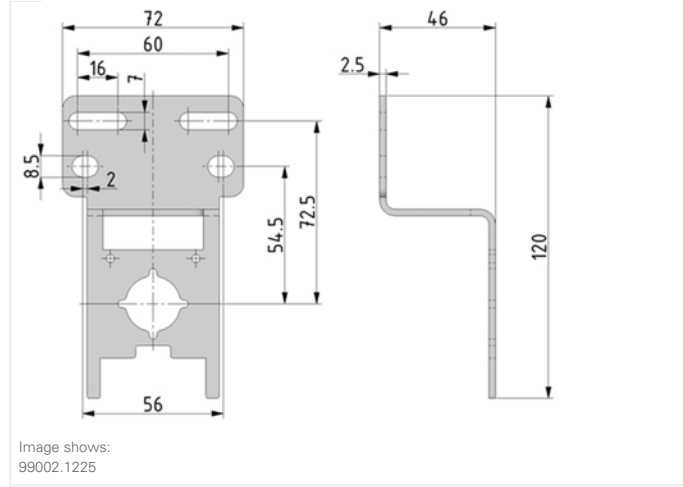
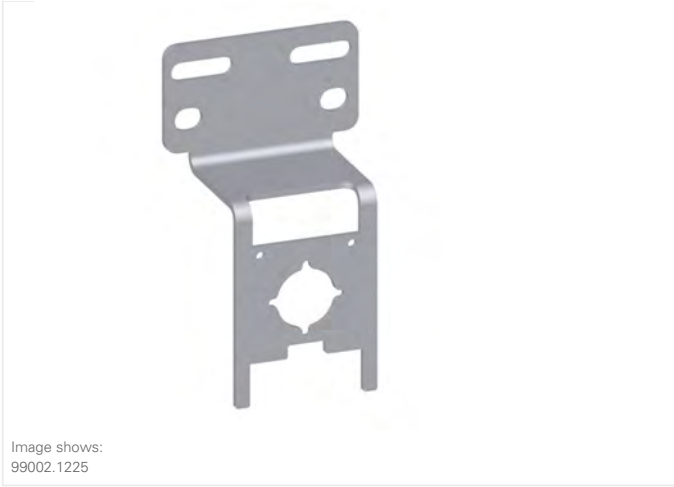
technical data

- **description:** Mounting bracket
- **material:** steel galvanized
- **fixing:** mounting with 2 screws

accessories

type	part-number	description
KBW.1-1225	99001.1225	Mounting bracket FUTURA BG1 (BW.1+2x screw 3x10 with Torx 10IP)

Bracket kit | BG2



technical data

- **description:** Mounting bracket
- **material:** steel galvanized
- **fixing:** mounting with 2 screws

accessories

type	part-number	description
KBW.2-1225	99002.1225	Mounting bracket FUTURA BG2 (BW.2+2x screw 3x10 with Torx 10IP)

Bracket kit | BG4



Image shows:
99004.1225

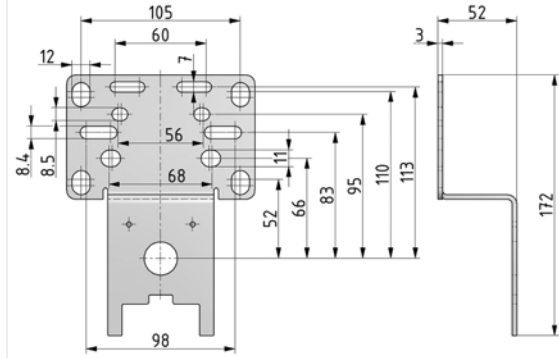


Image shows:
99004.1225

technical data

- **description:** Mounting bracket
- **material:** steel galvanized
- **fixing:** mounting with 2 screws

accessories

type

KBW.4-1225

part-number

99004.1225

description

Mounting bracket FUTURA BG4 (BW.4+2x screw 3x10 with Torx 10IP)

Service 3 unit

Service 2 unit

Filter regulator

Filter

Pressure regulator

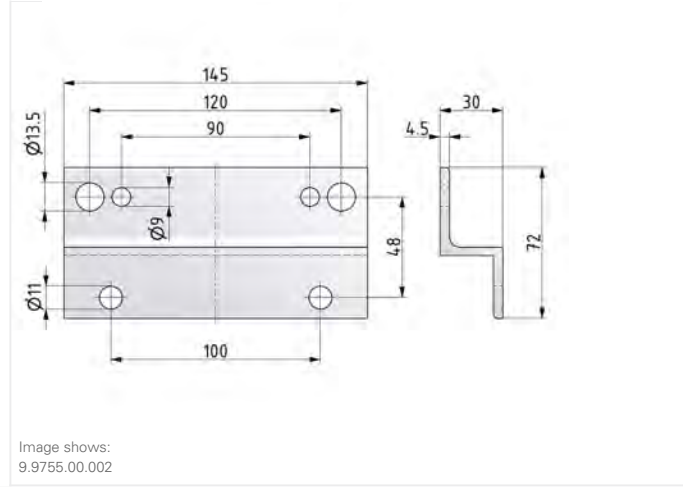
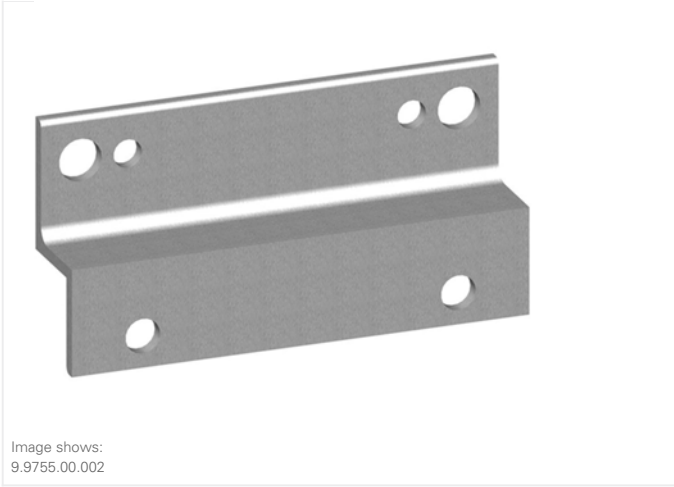
Lubricator

System extensions

Accessories

Special products

Bracket kit | ZFL.55



technical data

- **description:** Mounting bracket
- **material:** steel galvanized
- **fixing:** mounting with 2 screws

accessories

type	part-number	description
ZFL.55-22	9.9755.00.002	Mounting bracket (ZFL.55-22+4x screw M10x25 DIN933+4x10 ISO7090)