

Automatic drain|--

Service 3 unit

Service 2 unit



Image shows:
9.3600.00.410/NC

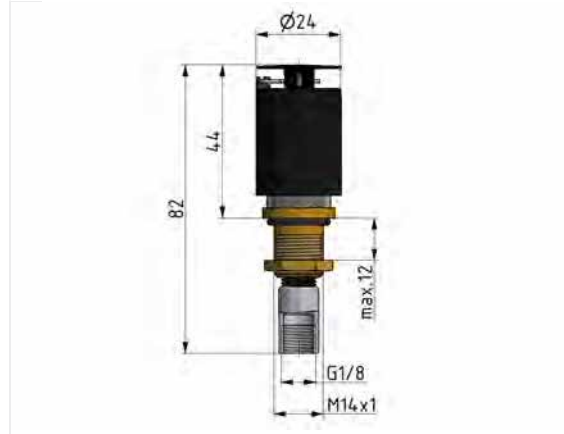


Image shows:
9.3600.00.410/NC

Filter regulator

Filter

symbol



Pressure regulator

Lubricator

System extensions

technical data

description: float handled condensate drain (no bleed pressureless)
supply pressure P1 min.: 1,5 bar
supply pressure P1 max.: 16 bar
temperature range: -10°C - +50°C
fixing: located within condensate bowl
mounting shaft: ø14 mm
discharge connection: G 1/8
function without pressure: (P1 0 bar) valve closed

accessories

Accessories

type	part-number	description
AM 10 NC	9.3600.00.410/NC	Automatic drain, p1= 1,5-16bar, usually closed
AM 10	9.3600.00.410/V	Automatic drain, p1= 1,5-16bar

Special products