

## Filter regulator | BG0



Image shows:  
92100.CC00

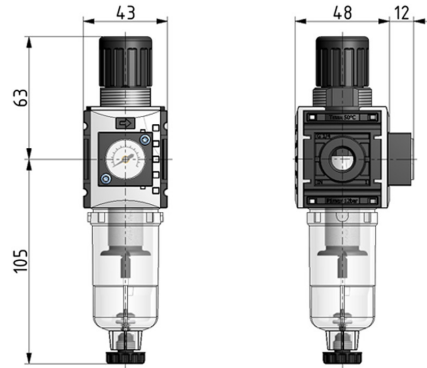
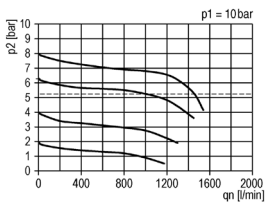
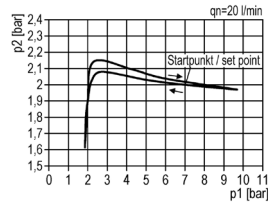


Image shows:  
92100.CC00

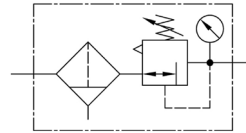
### flow characteristic



### pressure characteristic



### symbol



### technical data

**description:** sinter filter centrifugal principle, diaphragm-type pressure with relieving feature  
**medium:** compressed air, neutral gases  
**supply pressure P1 min.:** 1,5 bar  
**supply pressure P1 max.:** 12 bar  
**temperature range:** -10°C - +50°C  
**bowl:** PC  
**drain:** HA  
**mounting:** vertical  
**filter element:** 5 µm

### accessories



**mounting bracket:**  
[KBW.0-1225](#)



**coupling kit wall mounting:**  
[KKOP.0W](#)



**control panel mounting:**  
[KBW.0-1227](#) + C.00-34

**adapter for pressure gauge:**  
KKPS.0-54

type	part-number	description
KFRG-014/8 G	92100.CC00	Filter regulator G1/4 0,5-8 5µm with PC bowl, semi automatic drain and integrated gauge
KFRG-014/8 AM G	92100.CC01	Filter regulator G1/4 0,5-8 5µm with PC bowl, automatic drain and integrated gauge
KFRG-014/8 G M	92100.CC50	Filter regulator G1/4 0,5-8 5µm with metal bowl, semi automatic drain and integrated gauge
KFRG-014/8 M AMG	92100.CC51	Filter regulator G1/4 0,5-8 5µm with metal bowl, automatic drain and integrated gauge

Service 3 unit

Service 2 unit

Filter regulator

Filter

Pressure regulator

Lubricator

System extensions

Accessories

Special products