

Filter regulator | BG4



Image shows:
92104.FF00

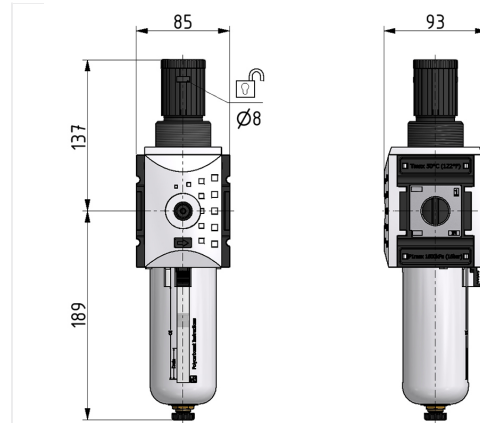
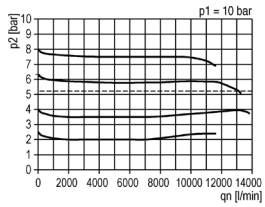
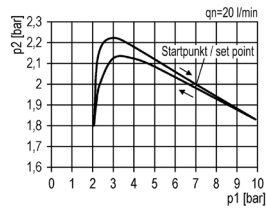


Image shows:
92104.FF00

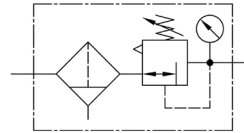
flow characteristic



pressure characteristic



symbol



technical data

- **description:** sinter filter centrifugal principle, pilot controlled diaphragm-type pressure with relieving feature
- **medium:** compressed air, neutral gases
- **supply pressure P1 min.:** 1,5 bar
- **supply pressure P1 max.:** 16 bar
- **temperature range:** -10°C - +50°C
- **bowl:** PC with PA bowl guard
- **drain:** HA
- **locking:** rotary lock or padlock possible
- **mounting:** vertical
- **filter element:** 5 µm
- **air consumption:** max. 1,5 l/min

accessories



- **mounting bracket:**
[KBW.4-1225](#)



- **coupling kit wall mounting:**
[KKOP.4W](#)

- **control panel mounting:**
control panel nut C.33-42

- **rotary lock:** VH.31 without key or VH.32 with key

Service 3 unit

Service 2 unit

Filter regulator

Filter

Pressure regulator

Lubricator

System extensions

Accessories

Special products

type	part-number	description
KFRG-434/8	92104.FF00	Filter regulator G3/4 0,5-8 5µm with PC bowl, bowl guard and semi automatic drain
KFRG-434/8 AM	92104.FF01	Filter regulator G3/4 0,5-8 5µm with PC bowl, bowl guard and automatic drain
KFRG-434/8 H	92104.FF50	Filter regulator G3/4 0,5-8 5µm with metal bowl and semi automatic drain
KFRG-434/8 H AM	92104.FF51	Filter regulator G3/4 0,5-8 5µm with metal bowl and automatic drain
KFRG-41/8	92104.GG00	Filter regulator G1 0,5-8 5µm with PC bowl, bowl guard and semi automatic drain
KFRG-41/8 AM	92104.GG01	Filter regulator G1 0,5-8 5µm with PC bowl, bowl guard and automatic drain
KFRG-41/8 H	92104.GG50	Filter regulator G1 0,5-8 5µm with metal bowl and semi automatic drain
KFRG-41/8 H AM	92104.GG51	Filter regulator G1 0,5-8 5µm with metal bowl and automatic drain

Service 3 unit

Service 2 unit

Filter regulator

Filter

Pressure regulator

Lubricator

System extensions

Accessories

Special products