

# Filter regulator | BG1

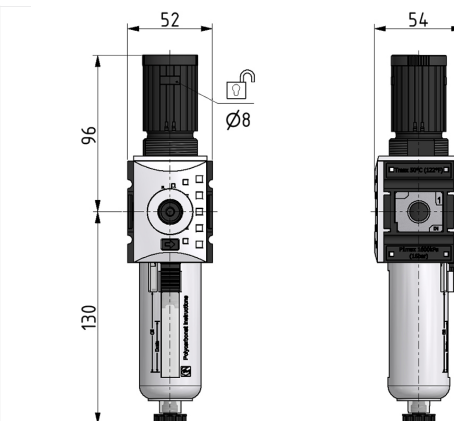
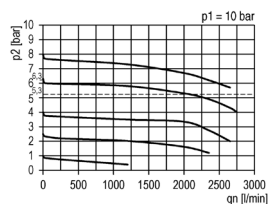


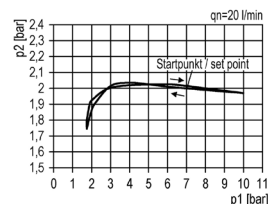
Image shows:  
92101.CC00

Image shows:  
92101.CC00

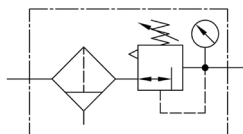
### flow characteristic



### pressure characteristic



### symbol



### technical data

- description:** sinter filter centrifugal principle, diaphragm-type pressure with relieving feature
- medium:** compressed air, neutral gases
- supply pressure P1 min.:** 1,5 bar
- supply pressure P1 max.:** 16 bar
- temperature range:** -10°C - +50°C
- bowl:** PC with PA bowl guard
- drain:** HA
- locking:** rotary lock or padlock possible
- mounting:** vertical
- filter element:** 5 µm

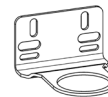
### accessories



**mounting bracket:**  
[KBW.1-1225](#)



**coupling kit wall mounting:**  
[KKOP.1W](#)



**control panel mounting:**  
[KBW.1-1227](#) + SM.1

**rotary lock:** VH.31 without key or VH.32 with key

type	part-number	description
KFRG-114/8	92101.CC00	Filter regulator G1/4 0,5-8 5µm with PC bowl, bowl guard and semi automatic drain
KFRG-114/8 AM	92101.CC01	Filter regulator G1/4 0,5-8 5µm with PC bowl, bowl guard and automatic drain
KFRG-114/8 H	92101.CC50	Filter regulator G1/4 0,5-8 5µm with metal bowl and semi automatic drain
KFRG-138/8	92101.DD00	Filter regulator G3/8 0,5-8 5µm with PC bowl, bowl guard and semi automatic drain
KFRG-138/8 AM	92101.DD01	Filter regulator G3/8 0,5-8 5µm with PC bowl, bowl guard and automatic drain
KFRG-138/8 H	92101.DD50	Filter regulator G3/8 0,5-8 5µm with metal bowl and semi automatic drain

Service 3 unit

Service 2 unit

Filter regulator

Filter

Pressure regulator

Lubricator

System extensions

Accessories

Special products