

Filter regulator | BG2



Image shows:
92102.DD00

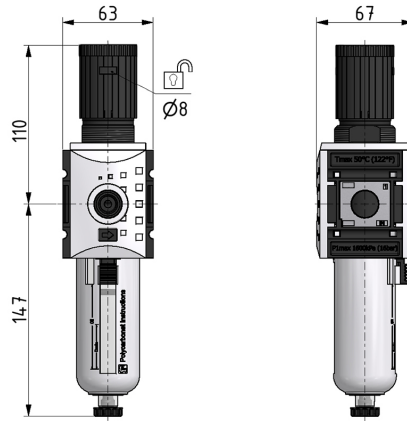
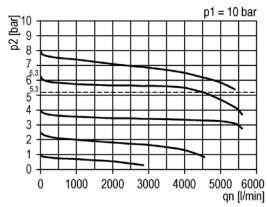
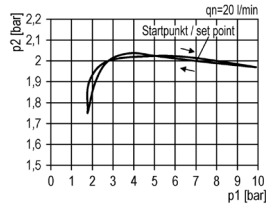


Image shows:
92102.DD00

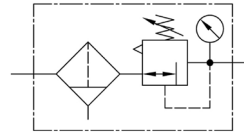
flow characteristic



pressure characteristic



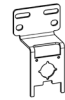
symbol



technical data

description: sinter filter centrifugal principle, diaphragm-type pressure with relieving feature
medium: compressed air, neutral gases
supply pressure P1 min.: 1,5 bar
supply pressure P1 max.: 16 bar
temperature range: -10°C - +50°C
bowl: PC with PA bowl guard
drain: HA
locking: rotary lock or padlock possible
mounting: vertical
filter element: 5 µm

accessories



mounting bracket:
[KBW.2-1225](#)



coupling kit wall mounting:
[KKOP.2W](#)



control panel mounting:
[KBW.2-1227](#) + SM.2

rotary lock: VH.31 without key or VH.32 with key

type	part-number	description
KFRG-238/8	92102.DD00	Filter regulator G3/8 0,5-8 5µm with PC bowl, bowl guard and semi automatic drain
KFRG-238/8 AM	92102.DD01	Filter regulator G3/8 0,5-8 5µm with PC bowl, bowl guard and automatic drain
KFRG-238/8 H	92102.DD50	Filter regulator G3/8 0,5-8 5µm with metal bowl and semi automatic drain
KFRG-238/8 H AM	92102.DD51	Filter regulator G3/8 0,5-8 5µm with metal bowl and automatic drain
KFRG-212/8	92102.EE00	Filter regulator G1/2 0,5-8 5µm with PC bowl, bowl guard and semi automatic drain
KFRG-212/8 AM	92102.EE01	Filter regulator G1/2 0,5-8 5µm with PC bowl, bowl guard and automatic drain
KFRG-212/8 H	92102.EE50	Filter regulator G1/2 0,5-8 5µm with metal bowl and semi automatic drain
KFRG-212/8 H AM	92102.EE51	Filter regulator G1/2 0,5-8 5µm with metal bowl and automatic drain

Service 3 unit

Service 2 unit

Filter regulator

Filter

Pressure regulator

Lubricator

System extensions

Accessories

Special products