

MINIATURE FILTER (F200A) COMPOSITE



Symbol



Features

- * Remove water and particle effectively.
- * Compact size with effective air service.
- * 40 μ m and 5 μ m filter element are easily interchangeable and replaceable.



How to order

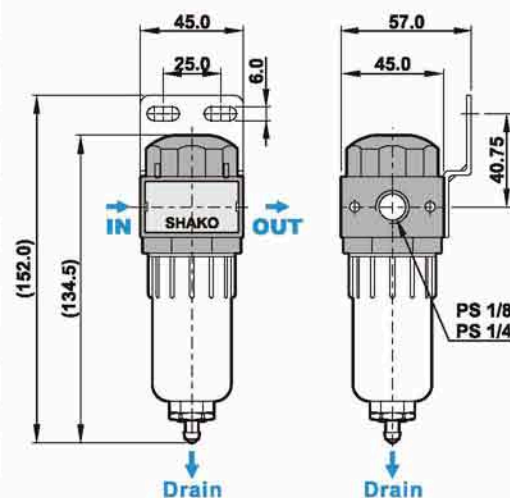
F200A	-	02	N	C	H	B	K
Miniature Filter		Port size	Thread	Filtration	Drain	Mounting bracket	Bowl guard
01	1/8" Option	Blank PS	Blank PS	Blank 5 μ m	Blank Semi-auto drain	Blank W/O bracket	Blank W/O guard
02	1/4" Standard	N NPT	C 40 μ m	H Manual drain	B W/I bracket	K W/I guard	

Specifications

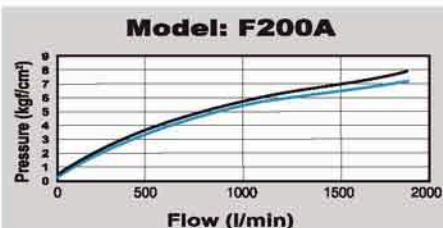
Model	F200A-01	F200A-02
Port size	1/8" [Option]	1/4" [Standard]
Fluid	Compressed air	
Body material	Polycarbonate	
Bowl material	Polycarbonate (Standard)	
Filtration	5 μ m (Standard) - 40 μ m (Option)	
Operating pressure range	0.5 ~ 10 kgf/cm ²	
Max. inlet pressure (Standard bowl)	12 kgf/cm ²	
Max. flow rate l/min (6kgf/cm ²)	1900	
Ambient temperature	-10 $^{\circ}$ C ~ 60 $^{\circ}$ C	
Filter bowl capacity	35cc	
Standard drain	Semi-auto drain (Drains below 0.5kgf/cm ²)	
Net weight	245g	
Accessories	Mounting bracket, Screw x 2	

Dimensions

F200A-01, 02



Flow chart



Note:

- X axis: Flow
- Y axis: Pressure
- Blue line (P0) = Outlet pressure
- Black line (P1) = Inlet pressure
- P1-P0=Pressure range

STANDARD & LARGE FILTER (UF) COMPOSITE



Symbol



Filter

Features

- * Remove water and particle effectively.
- * 40 μ m and 5 μ m filter element are easily interchangeable and replaceable.



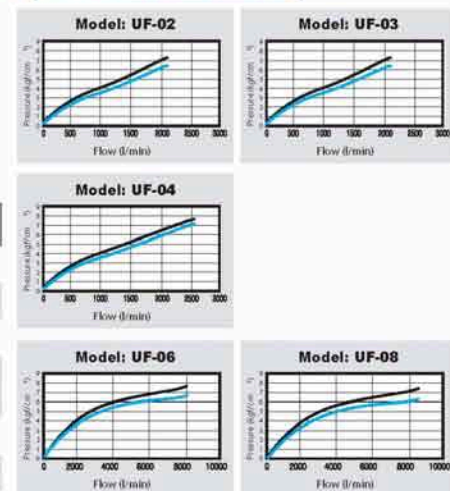
How to order

UF	-	02	N	C	D	B	A				
Filter	Port size	Thread		Filtration		Drain		Mounting		Bowl	
	02 1/4"	Blank	PS	Blank	5 μ m	Blank	Semi-auto drain	Blank	W/O bracket	Blank	Standard bowl
	03 3/8"	N	NPT	C	40 μ m	H	Manual drain	B	W/I bracket	A	Anti-acid & alkali bowl
	04 1/2"					D	Auto drain			AL	Aluminum bowl (1/4"~1/2")
	06 3/4"										
	08 1"										

Specifications

Model	UF-02	UF-03	UF-04	UF-06	UF-08
Port size	1/4"	3/8"	1/2"	3/4"	1"
Fluid	Compressed air				
Body material	Aluminum die-cast				
Bowl material	Polycarbonate (Standard), Anti-acid & alkali bowl (Option), Aluminum bowl (Option)				
Filtration	5 μ m (Standard), 40 μ m (Option)				
Operating pressure range	0.5 ~ 10 kgf/cm ²				
Max. operating pressure (Standard bowl)	15 kgf/cm ²				
Max. flow rate l/min (6kgf/cm ²)	2440	2450	3030	8250	8860
Ambient temperature	-10C ~ 60C				
Filter bowl capacity	105cc		210cc		
Standard drain	Semi-auto drain (Drains below 0.5kgf/cm ²)				
Net weight	530g (W/I Aluminum bowl 830g)			1250g	

Flow chart

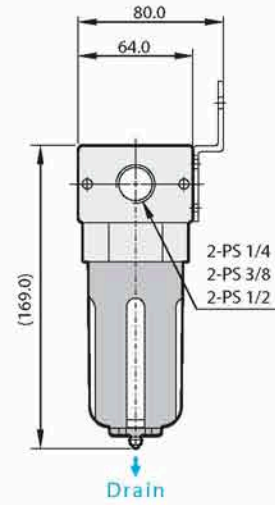
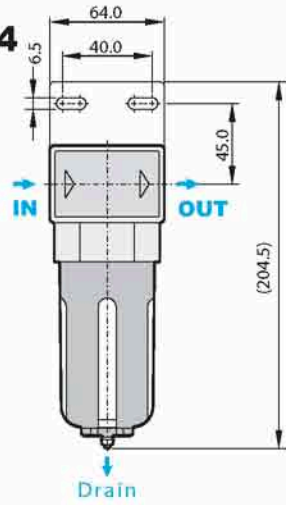


Note:

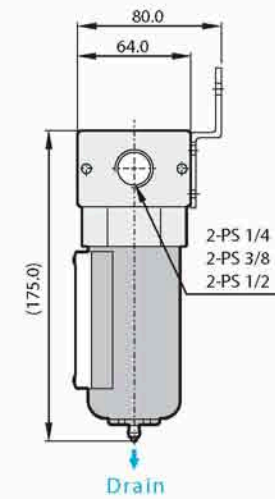
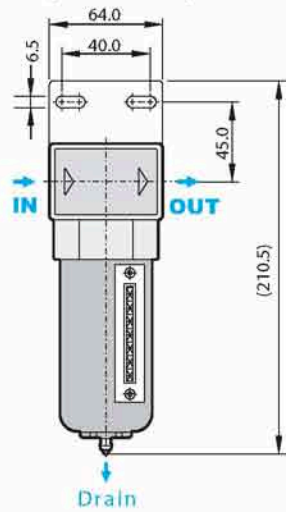
X axis: Flow
Y axis: Pressure
Blue line (P0) = Outlet pressure
Black line (P1) = Inlet pressure
P1-P0=Pressure range

Dimensions

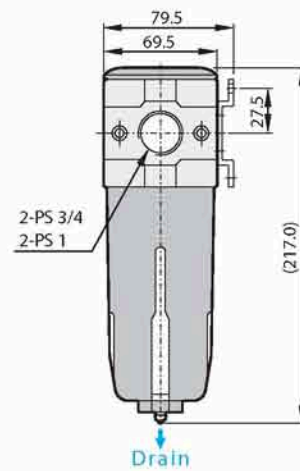
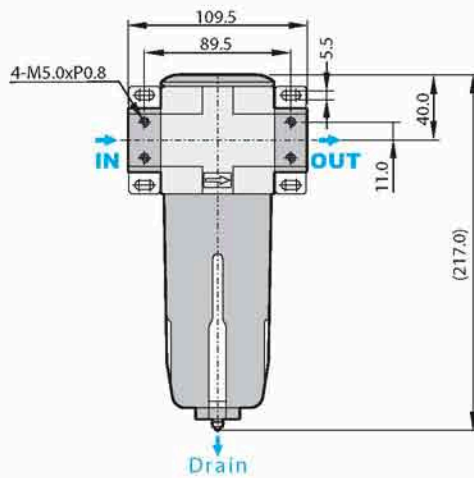
UF-02, 03, 04



UF-02AL, 03AL, 04AL (Aluminum bowl)



UF-06, 08



COMPOSITE/ALUMINIUM