

Bellows Vacuum Cups

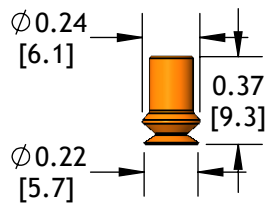
| | Cup Size | Cup Material ¹ | Cup Fitting | Filter |
|------|----------|-------------------------------------|---|------------------------------------|
| XP-B | 15 | CS | -10M | -FD |
| 5 | Ø 5 mm | A Ameriflex ⁴ | (Blank) None | (Blank) None |
| 8 | Ø 8 mm | CS Conductive Silicone ³ | See cup fittings for available threads. | -FD PE Filter Disc |
| 10 | Ø 10 mm | D Duramax ⁴ | | -FS SS Filter Screen |
| 15 | Ø 15 mm | N Nitrile | | See cup fittings for availability. |
| 20 | Ø 20 mm | S Silicone | | |
| | | V Viton | | |

¹All cups are available in Nitrile and Silicone. Check availability for other materials before ordering.

²All figures for shear load are 18" Hg. using a 0.5 coefficient of friction. Adjust coefficient of friction to suit your conditions, then apply a generous factor of safety (3:1 or greater) to shear loads.

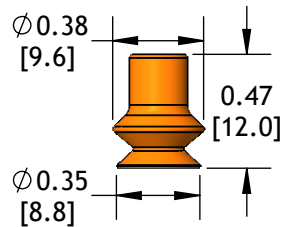
³Not available on XP-B15 or XP-B20.

⁴Not available on XP-B5, XP-B8, XP-B10, or XP-B15.



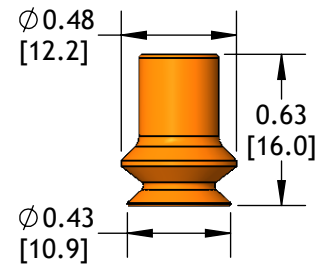
XP-B5

| | |
|----------------------------------|--------------|
| Cup Diameter: in [mm] | 5 mm |
| Thru Hole: in [mm] | 0.08 [2.0] |
| Stroke: in [mm] | 0.06 [1.5] |
| Cup Weight: oz [g] | 0.004 [0.11] |
| Internal Volume: cu in [cc] | 0.01 [0.2] |
| Force @ 6 inHG: lb [n] | 0.07 [0.3] |
| Force @ 18 inHG: lb [n] | 0.10 [0.4] |
| Minimum Radius: in [mm] | 0.06 [1.5] |
| Shear Load ² : lb [n] | 0.05 [0.2] |



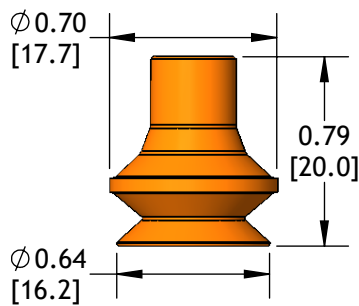
XP-B8

| | |
|----------------------------------|------------|
| Cup Diameter: in [mm] | 8 mm |
| Thru Hole: in [mm] | 0.08 [2.0] |
| Stroke: in [mm] | 0.13 [3.3] |
| Cup Weight: oz [g] | 0.01 [0.3] |
| Internal Volume: cu in [cc] | 0.01 [0.2] |
| Force @ 6 inHG: lb [n] | 0.18 [0.8] |
| Force @ 18 inHG: lb [n] | 0.36 [1.6] |
| Minimum Radius: in [mm] | 0.07 [1.8] |
| Shear Load ² : lb [n] | 0.18 [0.8] |



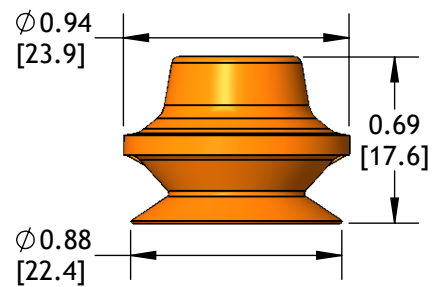
XP-B10

| | |
|----------------------------------|------------|
| Cup Diameter: in [mm] | 10 mm |
| Thru Hole: in [mm] | 0.14 [3.7] |
| Stroke: in [mm] | 0.18 [4.5] |
| Cup Weight: oz [g] | 0.03 [0.9] |
| Internal Volume: cu in [cc] | 0.03 [0.5] |
| Force @ 6 inHG: lb [n] | 0.3 [1.3] |
| Force @ 18 inHG: lb [n] | 0.8 [3.6] |
| Minimum Radius: in [mm] | 0.16 [4.1] |
| Shear Load ² : lb [n] | 0.4 [1.7] |



XP-B15

| | |
|----------------------------------|------------|
| Cup Diameter: in [mm] | 15 mm |
| Thru Hole: in [mm] | 0.14 [3.7] |
| Stroke: in [mm] | 0.26 [6.6] |
| Cup Weight: oz [g] | 0.04 [1.1] |
| Internal Volume: cu in [cc] | 0.07 [1.2] |
| Force @ 6 inHG: lb [n] | 0.70 [3.1] |
| Force @ 18 inHG: lb [n] | 1.30 [5.8] |
| Minimum Radius: in [mm] | 0.20 [5.1] |
| Shear Load ² : lb [n] | 0.70 [3.1] |



XP-B20

| | |
|----------------------------------|------------|
| Cup Diameter: in [mm] | 20 mm |
| Thru Hole: in [mm] | 0.20 [5.1] |
| Stroke: in [mm] | 0.39 [9.9] |
| Cup Weight: oz [g] | 0.08 [2.3] |
| Internal Volume: cu in [cc] | 0.16 [2.6] |
| Force @ 6 inHG: lb [n] | 1.30 [5.8] |
| Force @ 18 inHG: lb [n] | 2.20 [9.8] |
| Minimum Radius: in [mm] | 0.39 [9.9] |
| Shear Load ² : lb [n] | 1.10 [4.8] |

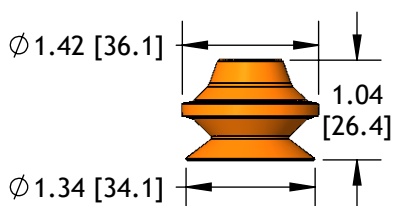
Bellows Vacuum Cups

| | Cup Size | Cup Material ¹ | Cup Fitting | Filter Option |
|------|----------|---------------------------|-------------------------|------------------------------------|
| XP-B | 50 | V | -38F | -FS |
| | 30 | Ø 30 mm | A Ameriflex | (Blank) None |
| | 40 | Ø 40 mm | D Duramax | -FD PE Filter Disc |
| | 50 | Ø 50 mm | N Nitrile | -FS SS Filter Screen |
| | 65 | Ø 65 mm | S Silicone ³ | See cup fittings for availability. |
| | | | V Viton ³ | |

¹All cups are available in Nitrile and Silicone. Check availability for other materials before ordering.

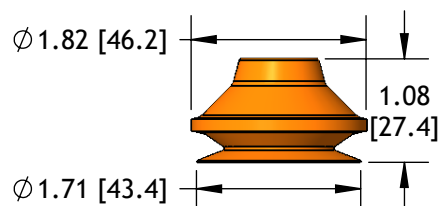
²All figures for shear load are 18”Hg. using a 0.5 coefficient of friction. Adjust coefficient of friction to suit your conditions, then apply a generous factor of safety (3:1 or greater) to shear loads.

³Not available on XP-B65.



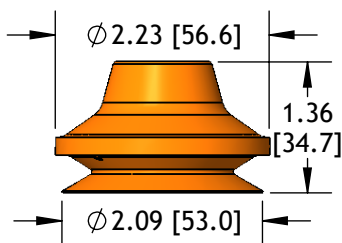
XP-B30

| | |
|----------------------------------|-------------|
| Cup Diameter: in [mm] | 30 mm |
| Thru Hole: in [mm] | 0.20 [5.1] |
| Stroke: in [mm] | 0.59 [14.9] |
| Cup Weight: oz [g] | 0.25 [7.1] |
| Internal Volume: cu in [cc] | 0.61 [10.0] |
| Force @ 6 inHG: lb [n] | 2.70 [12.0] |
| Force @ 18 inHG: lb [n] | 4.90 [21.8] |
| Minimum Radius: in [mm] | 0.59 [15.0] |
| Shear Load ² : lb [n] | 2.50 [11.1] |



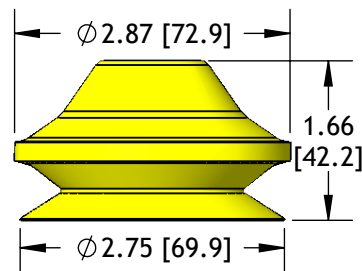
XP-B40

| | |
|----------------------------------|-------------|
| Cup Diameter: in [mm] | 40 mm |
| Thru Hole: in [mm] | 0.29 [7.4] |
| Stroke: in [mm] | 0.59 [14.9] |
| Cup Weight: oz [g] | 0.40 [11.3] |
| Internal Volume: cu in [cc] | 0.90 [14.7] |
| Force @ 6 inHG: lb [n] | 4.90 [21.8] |
| Force @ 18 inHG: lb [n] | 8.80 [39.1] |
| Minimum Radius: in [mm] | 0.79 [20.1] |
| Shear Load ² : lb [n] | 4.40 [19.5] |



XP-B50

| | |
|----------------------------------|--------------|
| Cup Diameter: in [mm] | 50 mm |
| Thru Hole: in [mm] | 0.36 [9.1] |
| Stroke: in [mm] | 0.79 [20.0] |
| Cup Weight: oz [g] | 0.75 [21.3] |
| Internal Volume: cu in [cc] | 2.00 [32.8] |
| Force @ 6 inHG: lb [n] | 7.40 [32.9] |
| Force @ 18 inHG: lb [n] | 14.60 [64.9] |
| Minimum Radius: in [mm] | 0.98 [24.9] |
| Shear Load ² : lb [n] | 7.30 [32.4] |



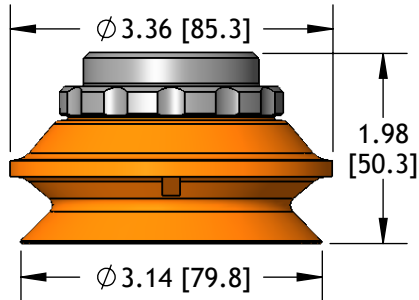
XP-B65

| | |
|----------------------------------|---------------|
| Cup Diameter: in [mm] | 65 mm |
| Thru Hole: in [mm] | 0.50 [12.7] |
| Stroke: in [mm] | 0.90 [22.9] |
| Cup Weight: oz [g] | 1.29 [36.5] |
| Internal Volume: cu in [cc] | 3.90 [63.9] |
| Force @ 6 inHG: lb [n] | 13.30 [59.2] |
| Force @ 18 inHG: lb [n] | 26.30 [117.0] |
| Minimum Radius: in [mm] | 1.22 [31.0] |
| Shear Load ² : lb [n] | 13.1 [58.3] |

Bellows Vacuum Cups

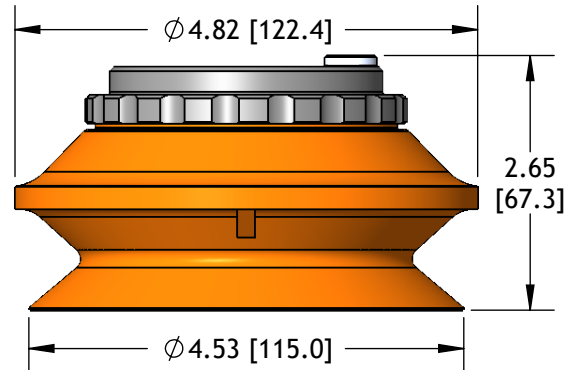
| | Cup Size | Cup Material | Cup Fitting |
|------|----------|--------------|---|
| XP-B | 75 | S | -12F |
| 75 | Ø 75 mm | N Nitrile | (Blank) None |
| 110 | Ø 110 mm | S Silicone | See cup fittings for available threads. |
| 150 | Ø 150 mm | V Viton | |

²All figures for shear load are 18"Hg. using a 0.5 coefficient of friction. Adjust coefficient of friction to suit your conditions, then apply a generous factor of safety (3:1 or greater) to shear loads.



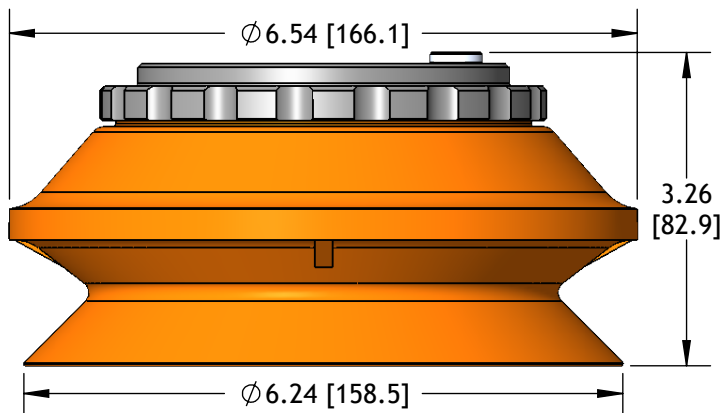
XP-B75

| | |
|----------------------------------|---------------|
| Cup Diameter: in [mm] | 75 mm |
| Stroke: in [mm] | 0.79 [20.0] |
| Cup Weight: oz [g] | 1.80 [51.0] |
| Internal Volume: cu in [cc] | 6.70 [110.0] |
| Force @ 6 inHG: lb [n] | 16.00 [71.2] |
| Force @ 18 inHG: lb [n] | 37.00 [164.0] |
| Minimum Radius: in [mm] | 1.60 [40.6] |
| Shear Load ² : lb [n] | 19.00 [84.5] |



XP-B110

| | |
|----------------------------------|---------------|
| Cup Diameter: in [mm] | 110 mm |
| Stroke: in [mm] | 1.32 [33.2] |
| Cup Weight: oz [g] | 5.10 [145.0] |
| Internal Volume: cu in [cc] | 19.00 [311.0] |
| Force @ 6 inHG: lb [n] | 30.00 [133.0] |
| Force @ 18 inHG: lb [n] | 77.00 [342.0] |
| Minimum Radius: in [mm] | 2.40 [61.0] |
| Shear Load ² : lb [n] | 39.00 [173.5] |



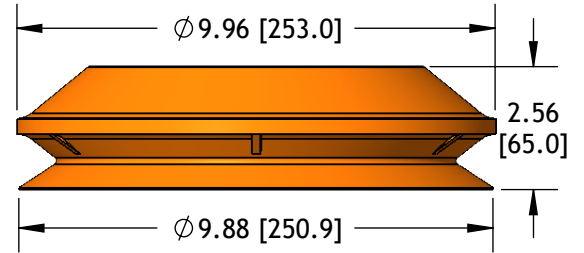
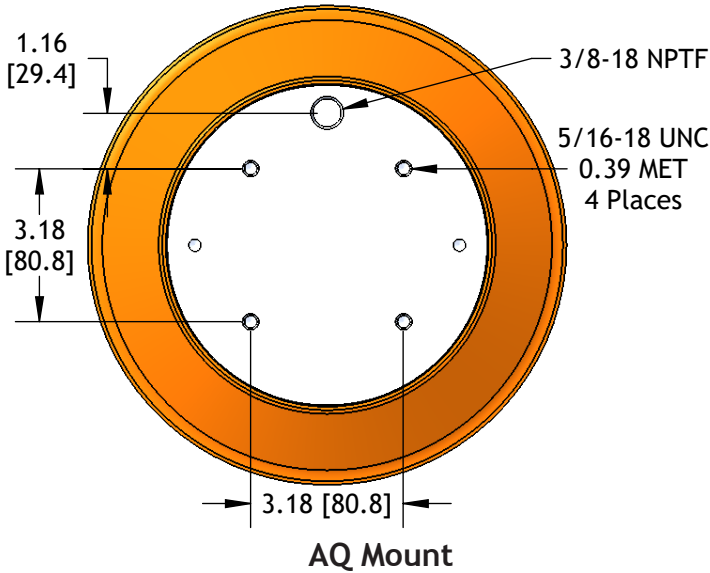
XP-B150

| | |
|----------------------------------|----------------|
| Cup Diameter: in [mm] | 150 mm |
| Stroke: in [mm] | 1.75 [44.4] |
| Cup Weight: oz [g] | 13.00 [369.0] |
| Internal Volume: cu in [cc] | 40.00 [656.0] |
| Force @ 6 inHG: lb [n] | 66.00 [294.0] |
| Force @ 18 inHG: lb [n] | 154.00 [685.0] |
| Minimum Radius: in [mm] | 3.00 [76.2] |
| Shear Load ² : lb [n] | 77.00 [342.0] |

Bellows Vacuum Cups

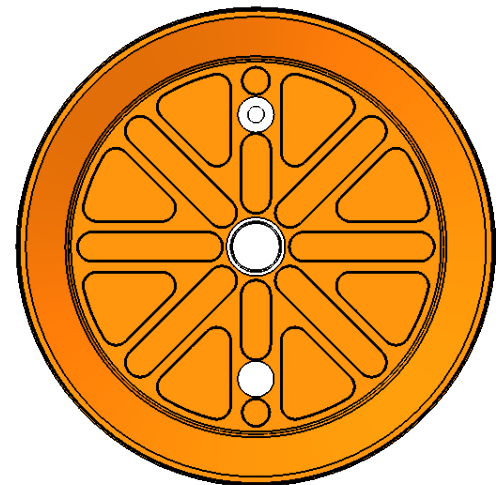
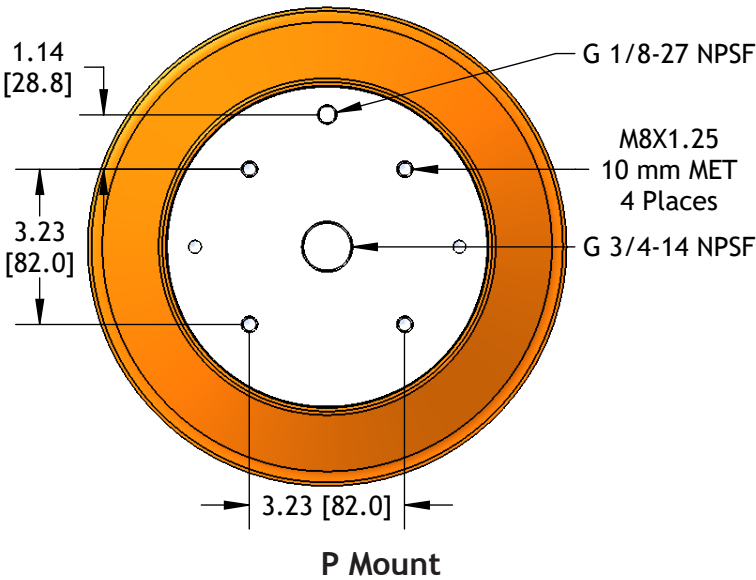
| Cup Material | | Mount | |
|--------------|----------|-------|---------------------------|
| XP-B250 | N | - | AQ |
| N | Nitrile | AQ | Quad Mount, Side Port |
| S | Silicone | P | Quad Mount, Centered Port |

²All figures for shear load are 18”Hg. using a 0.5 coefficient of friction. Adjust coefficient of friction to suit your conditions, then apply a generous factor of safety (3:1 or greater) to shear loads.



XP-B250

| | |
|----------------------------------|-----------------|
| Cup Diameter: in [mm] | 250 mm |
| Stroke: in [mm] | 1.44 [36.6] |
| Cup Weight: oz [g] | 3.57 [1.62] |
| Internal Volume: cu in [cc] | 85.40 [1400.0] |
| Force @ 18 inHG: lb [n] | 450.00 [2002.0] |
| Minimum Radius: in [mm] | 10.00 [254.0] |
| Shear Load ² : lb [n] | 225.00 [1001.0] |



Bottom View