

# Prefilter | BG4



Image shows:  
91314.FF00

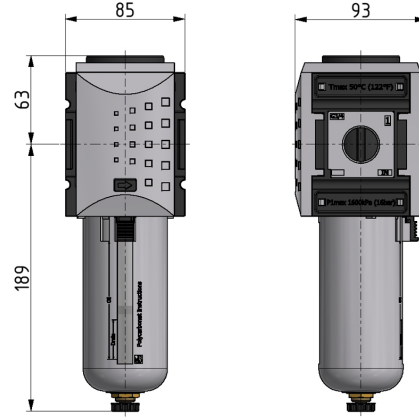
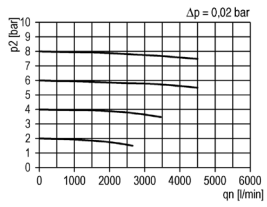
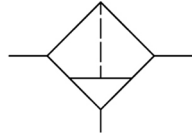


Image shows:  
91314.FF00

### flow characteristic



### symbol



### technical data

- **description:** prefilter
- **medium:** compressed air, neutral gases
- **supply pressure P1 min.:** 1,5 bar
- **supply pressure P1 max.:** 16 bar
- **temperature range:** -10°C - +50°C
- **bowl:** PC with PA bowl guard
- **drain:** HA
- **mounting:** vertical
- **filter element:** 0,3 μm
- **particle separation:** 99.999%

### accessories



- **mounting bracket:**  
[KBW.4-1225](#)



- **coupling kit wall mounting:**  
[KKOP.4W](#)

- **differential pressure display**



- **differential pressure gauge:**  
[DM.2](#)

Service 3 unit

Service 2 unit

Filter regulator

Filter

Pressure regulator

Lubricator

System extensions

Accessories

Special products

type	part-number	description
KPFI-434	91314.FF00	Prefilter G3/4 0,3µm with PC bowl, bowl guard and semi automatic drain
KPFI-434 AM	91314.FF01	Prefilter G3/4 0,3µm with PC bowl, bowl guard and automatic drain
KPFI-434 H	91314.FF50	Prefilter G3/4 0,3µm with metal bowl and semi automatic drain
KPFI-434 H AM	91314.FF51	Prefilter G3/4 0,3µm with metal bowl and automatic drain
KPFI-41	91314.GG00	Prefilter G1 0,3µm with PC bowl, bowl guard and semi automatic drain
KPFI-41 AM	91314.GG01	Prefilter G1 0,3µm with PC bowl, bowl guard and automatic drain
KPFI-41 H	91314.GG50	Prefilter G1 0,3µm with metal bowl and semi automatic drain
KPFI-41 H AM	91314.GG51	Prefilter G1 0,3µm with metal bowl and automatic drain

Service 3 unit

Service 2 unit

Filter regulator

**Filter**

Pressure regulator

Lubricator

System extensions

Accessories

Special products