

## Filter | BG4



Image shows:  
91304.FF00

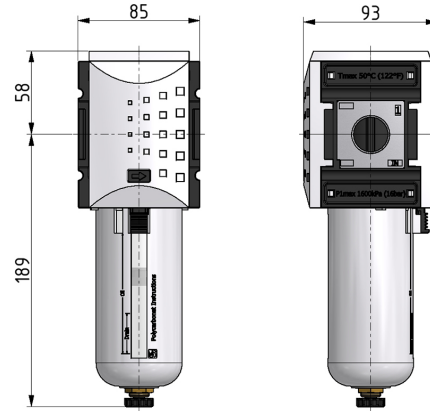
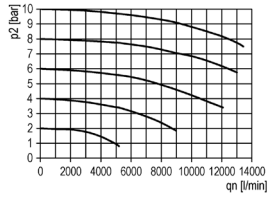
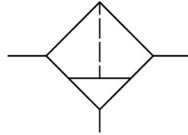


Image shows:  
91304.FF00

### flow characteristic



### symbol



### technical data

- **description:** sinter filter centrifugal principle
- **medium:** compressed air, neutral gases
- **supply pressure P1 min.:** 1,5 bar
- **supply pressure P1 max.:** 16 bar
- **temperature range:** -10°C - +50°C
- **bowl:** PC with PA bowl guard
- **drain:** HA
- **mounting:** vertical
- **filter element:** 5 µm

### accessories



- **mounting bracket:**  
[KBW.4-1225](#)



- **coupling kit wall mounting:**  
[KKOP.4W](#)

type	part-number	description
KFIL-434	91304.FF00	Filter G3/4 5µm with PC bowl, bowl guard and semi automatic drain
KFIL-434 AM	91304.FF01	Filter G3/4 5µm with PC bowl, bowl guard and automatic drain
KFIL-434 H	91304.FF50	Filter G3/4 5µm with metal bowl and semi automatic drain
KFIL-434 H AM	91304.FF51	Filter G3/4 5µm with metal bowl and automatic drain
KFIL-41	91304.GG00	Filter G1 5µm with PC bowl, bowl guard and semi automatic drain
KFIL-41 AM	91304.GG01	Filter G1 5µm with PC bowl, bowl guard and automatic drain
KFIL-41 H	91304.GG50	Filter G1 5µm with metal bowl and semi automatic drain
KFIL-41 H AM	91304.GG51	Filter G1 5µm with metal bowl and automatic drain

Service 3 unit

Service 2 unit

Filter regulator

Filter

Pressure regulator

Lubricator

System extensions

Accessories

Special products