

Active carbon filter | BG4



Image shows:
91334.FF00

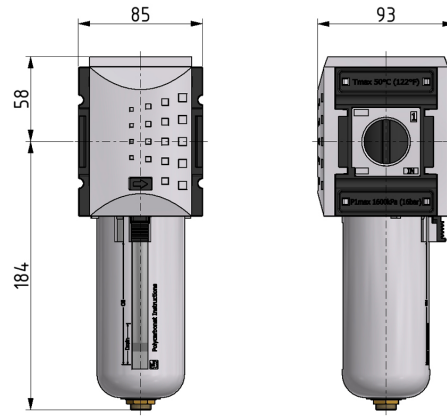
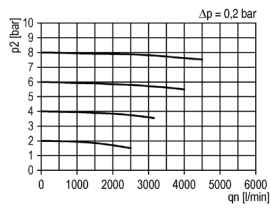
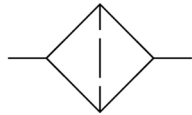


Image shows:
91334.FF00

flow characteristic



symbol



technical data

description: active carbon filter
medium: compressed air, neutral gases
supply pressure P1 min.: 0 bar
supply pressure P1 max.: 16 bar
temperature range: -10°C - +50°C
bowl: PC with PA bowl guard
mounting: vertical

accessories



mounting bracket:
[KBW.4-1225](#)



coupling kit wall mounting:
[KKOP.4W](#)

type	part-number	description
KAFI-434	91334.FF00	Activated carbon filter G3/4 with PC bowl and bowl guard
KAFI-434 H	91334.FF50	Activated carbon filter G3/4 with metal bowl
KAFI-41	91334.GG00	Activated carbon filter G1 with PC bowl and bowl guard
KAFI-41 H	91334.GG50	Activated carbon filter G1 with metal bowl

Service 3 unit

Service 2 unit

Filter regulator

Filter

Pressure regulator

Lubricator

System extensions

Accessories

Special products