

Service 3 unit | BG2



Image shows:
92702.DD00

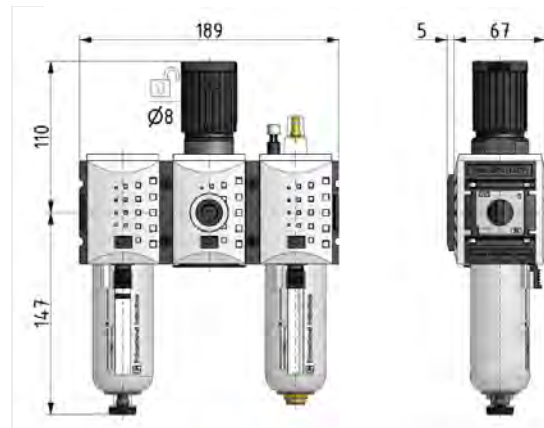
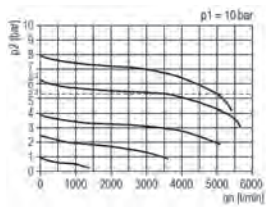
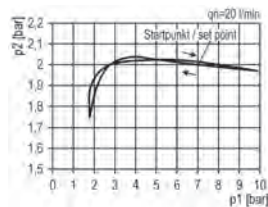


Image shows:
92702.DD00

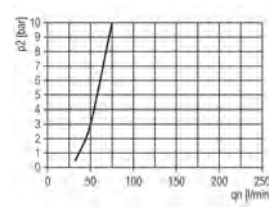
flow characteristic



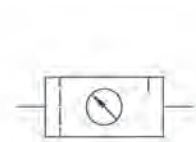
pressure characteristic



lubricator operating limit



symbol



technical data

- **description:** sinter filter centrifugal principle, diaphragm-type pressure with relieving feature, lubricator with automatic oil filling
- **medium:** compressed air, neutral gases
- **supply pressure P1 min.:** 1,5 bar
- **supply pressure P1 max.:** 16 bar
- **temperature range:** -10°C - +50°C
- **bowl:** PC with PA bowl guard
- **drain:** HA
- **locking:** rotary lock or padlock possible
- **mounting:** vertical
- **filter element:** 5 µm
- **bowl volume lubricator:** 80 cm³
- **oil metering qv=1.000/min:** 1 - 2 drops/min
- **oil type:** CL 32 DIN 51517 - ISO VG 32

accessories



- **mounting bracket:**
[KBW.2-1225](#)



- **coupling kit wall mounting:**
[KKOP.2W](#)



- **control panel mounting:**
[KBW.2-1227](#) + SM.2

- **rotary lock:** VH.31 without key or VH.32 with key

Service 3 unit

Service 2 unit

Filter regulator

Filter

Pressure regulator

Lubricator

System extensions

Accessories

Special products

| type | part-number | description |
|-----------------|-------------|---|
| KS3U-238/8 | 92702.DD00 | Service 3 unit G3/8 0,5-8 5µm with PC bowl, bowl guard and semi automatic drain |
| KS3U-238/8 AM | 92702.DD01 | Service 3 unit G3/8 0,5-8 5µm with PC bowl, bowl guard and automatic drain |
| KS3U-238/8 H | 92702.DD50 | Service 3 unit G3/8 0,5-8 5µm with metal bowl and semi automatic drain |
| KS3U-238/8 H AM | 92702.DD51 | Service 3 unit G3/8 0,5-8 5µm with metal bowl and automatic drain |
| KS3U-212/8 | 92702.EE00 | Service 3 unit G1/2 0,5-8 5µm with PC bowl, bowl guard and semi automatic drain |
| KS3U-212/8 AM | 92702.EE01 | Service 3 unit G1/2 0,5-8 5µm with PC bowl, bowl guard and automatic drain |
| KS3U-212/8 H | 92702.EE50 | Service 3 unit G1/2 0,5-8 5µm with metal bowl and semi automatic drain |
| KS3U-212/8 H AM | 92702.EE51 | Service 3 unit G1/2 0,5-8 5µm with metal bowl and automatic drain |

Service 3 unit

Service 2 unit

Filter regulator

Filter

Pressure regulator

Lubricator

System extensions

Accessories

Special products