

# Lubricator | BG2



Image shows:  
92502.DD00

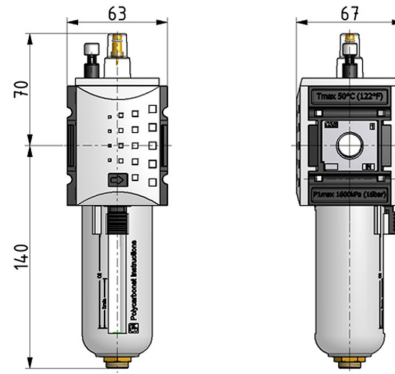
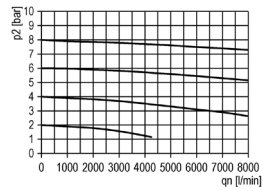
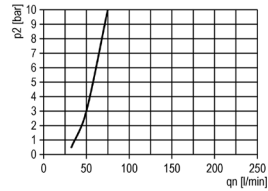


Image shows:  
92502.DD00

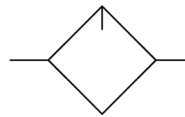
### flow characteristic



### lubricator operating limit



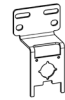
### symbol



### technical data

- description:** lubricator with automatic oil filling
- medium:** compressed air, neutral gases
- supply pressure P1 max.:** 16 bar
- temperature range:** -10°C - +50°C
- bowl:** PC with PA bowl guard
- mounting:** vertical
- bowl volume lubricator:** 80 cm<sup>3</sup>
- oil type:** CL 32 DIN 51517 - ISO VG 32
- dome assembly:** PC
- oil fill in:** can be oilpulling during operation

### accessories



mounting bracket:  
[KBW.2-1225](#)



coupling kit wall mounting:  
[KKOP.2W](#)

electrical level indicator  
(version addition: N)

type	part-number	description
KLUB-238	92502.DD00	Lubricator G3/8 with automatic oil filling, PC bowl and bowl guard
KLUB-238 H	92502.DD50	Lubricator G3/8 with automatic oil filling and metal bowl
KLUB-212	92502.EE00	Lubricator G1/2 with automatic oil filling, PC bowl and bowl guard
KLUB-212 H	92502.EE50	Lubricator G1/2 with automatic oil filling and metal bowl

Service 3 unit

Service 2 unit

Filter regulator

Filter

Pressure regulator

Lubricator

System extensions

Accessories

Special products