

Filter | BG2



Image shows:
91302.DD00

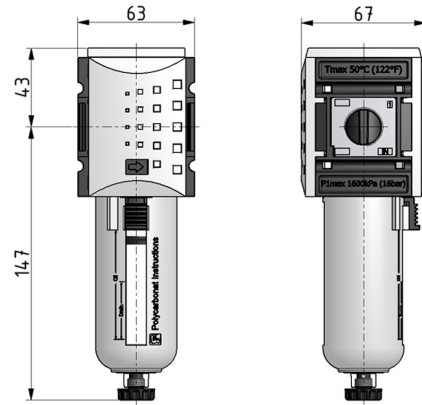
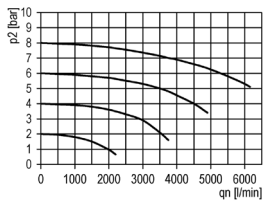
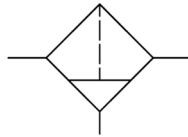


Image shows:
91302.DD00

flow characteristic



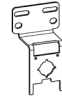
symbol



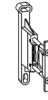
technical data

- **description:** sinter filter centrifugal principle
- **medium:** compressed air, neutral gases
- **supply pressure P1 min.:** 1,5 bar
- **supply pressure P1 max.:** 16 bar
- **temperature range:** -10°C - +50°C
- **bowl:** PC with PA bowl guard
- **drain:** HA
- **mounting:** vertical
- **filter element:** 5 µm

accessories



- **mounting bracket:**
[KBW.2-1225](#)



- **coupling kit wall mounting:**
[KKOP.2W](#)

type	part-number	description
KFIL-238	91302.DD00	Filter G3/8 5µm with PC bowl, bowl guard and semi automatic drain
KFIL-238 AM	91302.DD01	Filter G3/8 5µm with PC bowl, bowl guard and automatic drain
KFIL-238 H	91302.DD50	Filter G3/8 5µm with metal bowl and semi automatic drain
KFIL-238 H AM	91302.DD51	Filter G3/8 5µm with metal bowl and automatic drain
KFIL-212	91302.EE00	Filter G1/2 5µm with PC bowl, bowl guard and semi automatic drain
KFIL-212 AM	91302.EE01	Filter G1/2 5µm with PC bowl, bowl guard and automatic drain
KFIL-212 H	91302.EE50	Filter G1/2 5µm with metal bowl and semi automatic drain
KFIL-212 H AM	91302.EE51	Filter G1/2 5µm with metal bowl and automatic drain

Service 3 unit

Service 2 unit

Filter regulator

Filter

Pressure regulator

Lubricator

System extensions

Accessories

Special products