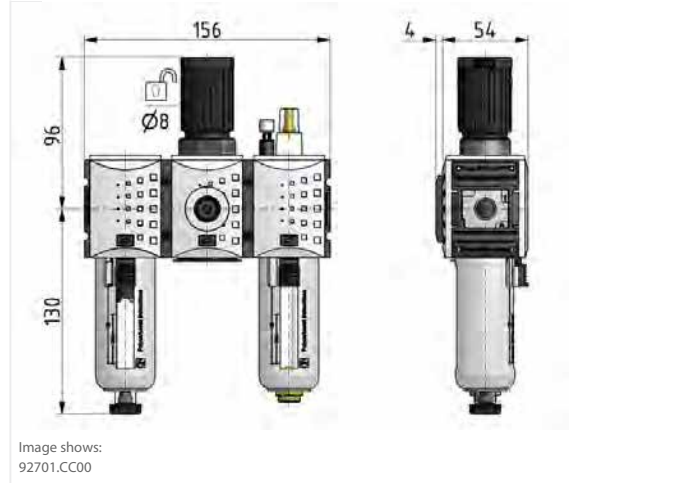
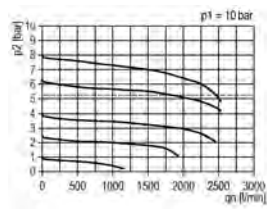


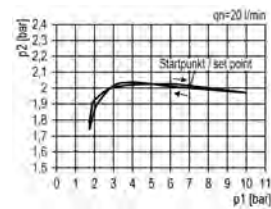
## Service 3 unit | BG1



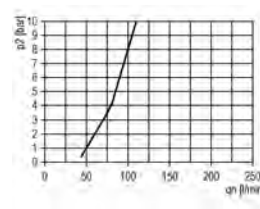
### flow characteristic



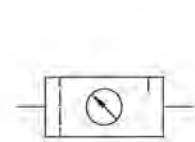
### pressure characteristic



### lubricator operating limit



### symbol



### technical data

**description:** sinter filter centrifugal principle, diaphragm-type pressure with relieving feature, lubricator with automatic oil filling  
**medium:** compressed air, neutral gases  
**supply pressure P1 min.:** 1,5 bar  
**supply pressure P1 max.:** 16 bar  
**temperature range:** -10°C - +50°C  
**bowl:** PC with PA bowl guard  
**drain:** HA  
**locking:** rotary lock or padlock possible  
**mounting:** vertical  
**filter element:** 5 µm  
**bowl volume lubricator:** 40 cm<sup>3</sup>  
**oil metering qv=1.000l/min:** 1 - 2 drops/min  
**oil type:** CL 32 DIN 51517 - ISO VG 32

### accessories



**mounting bracket:**  
[KBW.1-1225](#)



**coupling kit wall mounting:**  
[KKOP.1W](#)



**control panel mounting:**  
[KBW.1-1227](#) + SM.1

**rotary lock:** VH.31 without key or VH.32 with key

type	part-number	description
KS3U-114/8	92701.CC00	Service 3 unit G1/4 0,5-8 5µm with PC bowl, bowl guard and semi automatic drain
KS3U-138/8	92701.DD00	Service 3 unit G3/8 0,5-8 5µm with PC bowl, bowl guard and semi automatic drain