

# Lubricator | BG1



Image shows:  
92501.CC00

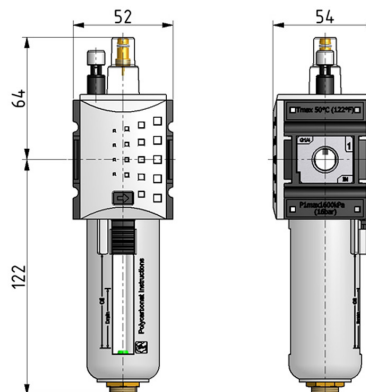
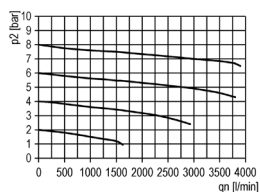
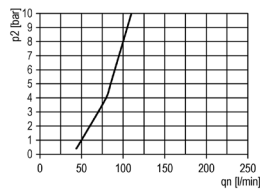


Image shows:  
92501.CC00

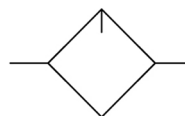
### flow characteristic



### lubricator operating limit



### symbol



### technical data

**description:** lubricator with automatic oil filling  
**medium:** compressed air, neutral gases  
**supply pressure P1 max.:** 16 bar  
**temperature range:** -10°C - +50°C  
**bowl:** PC with PA bowl guard  
**mounting:** vertical  
**bowl volume lubricator:** 40 cm<sup>3</sup>  
**oil type:** CL 32 DIN 51517 - ISO VG 32  
**dome assembly:** PC  
**oil fill in:** can be oilpulling during operation

### accessories



mounting bracket:  
[KBW.1-1225](#)



coupling kit wall mounting:  
[KKOP.1W](#)

electrical level indicator  
(version addition: N)

type	part-number	description
KLUB-114	92501.CC00	Lubricator G1/4 with automatic oil filling, PC bowl and bowl guard
KLUB-114 H	92501.CC50	Lubricator G1/4 with automatic oil filling and metal bowl
KLUB-138	92501.DD00	Lubricator G3/8 with automatic oil filling, PC bowl and bowl guard
KLUB-138 H	92501.DD50	Lubricator G3/8 with automatic oil filling and metal bowl