

Finefilter | BG1



Image shows:
91321.CC00

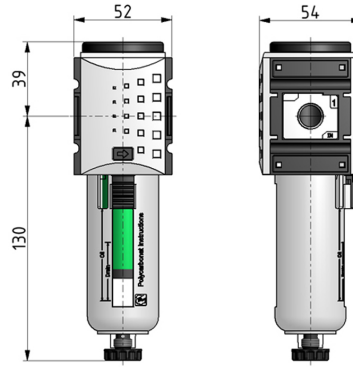
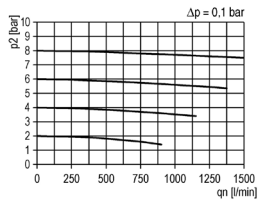
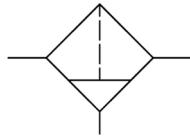


Image shows:
91321.CC00

flow characteristic



symbol



technical data

- **description:** finefilter
- **medium:** compressed air, neutral gases
- **supply pressure P1 min.:** 1,5 bar
- **supply pressure P1 max.:** 16 bar
- **temperature range:** -10°C - +50°C
- **bowl:** PC with PA bowl guard
- **drain:** HA
- **mounting:** vertical
- **filter element:** 0,01 μm
- **particle separation:** > 0,01 μm 99,999%
- **residual oil concent:** < 0,01 mg/m^3 99.999%

accessories



- **mounting bracket:**
[KBW.1-1225](#)



- **coupling kit wall mounting:**
[KKOP.1W](#)

- **differential pressure display**



- **differential pressure gauge:**
[DM.2](#)

type	part-number	description
KCFI-114	91321.CC00	Finefilter G1/4 0,01µm with PC bowl, bowl guard and semi automatic drain
KCFI-114 AM	91321.CC01	Finefilter G1/4 0,01µm with PC bowl, bowl guard and automatic drain
KCFI-114 H	91321.CC50	Finefilter G1/4 0,01µm with metal bowl and semi automatic drain
KCFI-114 H AM	91321.CC51	Finefilter G1/4 0,01µm with metal bowl and automatic drain
KCFI-138	91321.DD00	Finefilter G3/8 0,01µm with PC bowl, bowl guard and semi automatic drain
KCFI-138 AM	91321.DD01	Finefilter G3/8 0,01µm with PC bowl, bowl guard and automatic drain
KCFI-138 H	91321.DD50	Finefilter G3/8 0,01µm with metal bowl and semi automatic drain
KCFI-138 H AM	91321.DD51	Finefilter G3/8 0,01µm with metal bowl and automatic drain

Service 3 unit

Service 2 unit

Filter regulator

Filter

Pressure regulator

Lubricator

System extensions

Accessories

Special products