

Filter | BG1



Image shows:
91301.CC00

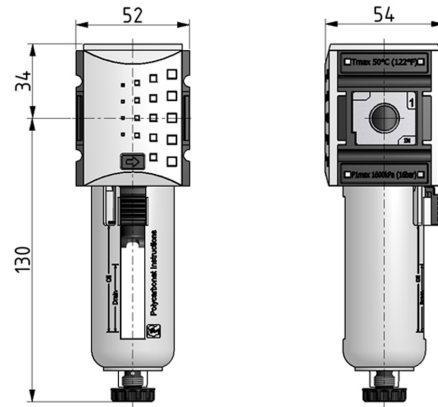
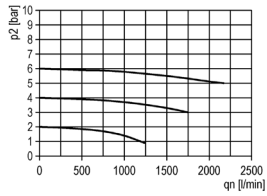
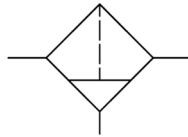


Image shows:
91301.CC00

flow characteristic



symbol



technical data

- **description:** sinter filter centrifugal principle
- **medium:** compressed air, neutral gases
- **supply pressure P1 min.:** 1,5 bar
- **supply pressure P1 max.:** 16 bar
- **temperature range:** -10°C - +50°C
- **bowl:** PC with PA bowl guard
- **drain:** HA
- **mounting:** vertical
- **filter element:** 5 µm

accessories



- **mounting bracket:**
[KBW.1-1225](#)



- **coupling kit wall mounting:**
[KKOP.1W](#)

type	part-number	description
KFIL-114	91301.CC00	Filter G1/4 5µm with PC bowl, bowl guard and semi automatic drain
KFIL-114 AM	91301.CC01	Filter G1/4 5µm with PC bowl, bowl guard and automatic drain
KFIL-114 H	91301.CC50	Filter G1/4 5µm with metal bowl and semi automatic drain
KFIL-114 H AM	91301.CC51	Filter G1/4 5µm with metal bowl and automatic drain
KFIL-138	91301.DD00	Filter G3/8 5µm with PC bowl, bowl guard and semi automatic drain
KFIL-138 AM	91301.DD01	Filter G3/8 5µm with PC bowl, bowl guard and automatic drain
KFIL-138 H	91301.DD50	Filter G3/8 5µm with metal bowl and semi automatic drain
KFIL-138 H AM	91301.DD51	Filter G3/8 5µm with metal bowl and automatic drain

Service 3 unit

Service 2 unit

Filter regulator

Filter

Pressure regulator

Lubricator

System extensions

Accessories

Special products