

Active carbon filter | BG1



Image shows:
91331.CC00

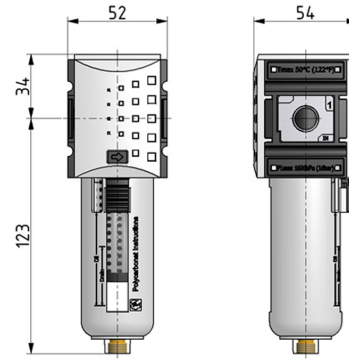
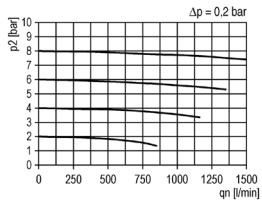
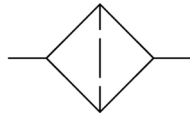


Image shows:
91331.CC00

flow characteristic



symbol



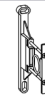
technical data

description: active carbon filter
medium: compressed air, neutral gases
supply pressure P1 min.: 0 bar
supply pressure P1 max.: 16 bar
temperature range: -10°C - +50°C
bowl: PC with PA bowl guard
mounting: vertical

accessories



mounting bracket:
[KBW.1-1225](#)



coupling kit wall mounting:
[KKOP.1W](#)

type	part-number	description
KAFI-114	91331.CC00	Activated carbon filter G1/4 with PC bowl and bowl guard
KAFI-114 H	91331.CC50	Activated carbon filter G1/4 with metal bowl
KAFI-138	91331.DD00	Activated carbon filter G3/8 with PC bowl and bowl guard
KAFI-138 H	91331.DD50	Activated carbon filter G3/8 with metal bowl

Service 3 unit

Service 2 unit

Filter regulator

Filter

Pressure regulator

Lubricator

System extensions

Accessories

Special products