

## Service 3 unit | BGO



Image shows:  
92700.CC00

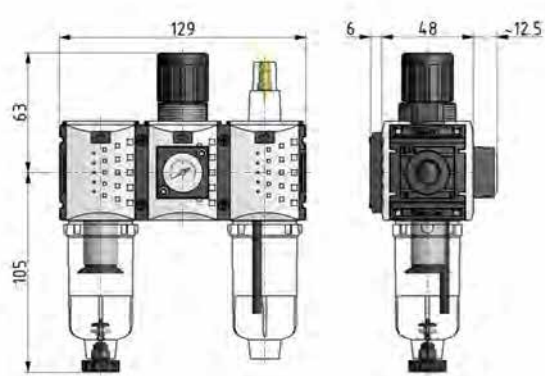
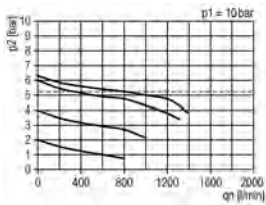
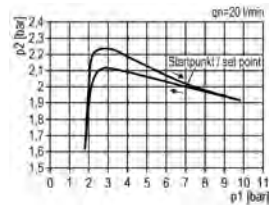


Image shows:  
92700.CC00

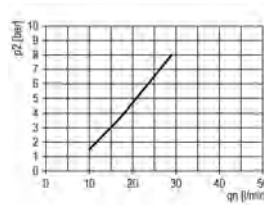
### flow characteristic



### pressure characteristic



### lubricator operating limit



### symbol



### technical data

**description:** sinter filter centrifugal principle, diaphragm-type pressure with relieving feature, micro mist lubricator  
**medium:** compressed air, neutral gases  
**supply pressure P1 min.:** 1,5 bar  
**supply pressure P1 max.:** 12 bar  
**temperature range:** -10°C - +50°C  
**bowl:** PC  
**drain:** HA  
**mounting:** vertical  
**filter element:** 5 µm  
**bowl volume lubricator:** 35 cm<sup>3</sup>  
**oil metering qv=1.000l/min:** 10 - 20 drops/min  
**oil type:** CL 32 DIN 51517 - ISO VG 32

### accessories



Befestigungswinkel: [ZW.45](#)



coupling kit wall mounting: [KKOP.0W](#)



control panel mounting: [KBW.0-1227](#) + C.00-34

**adapter for pressure gauge:**  
KKPS.0-54

type	part-number	description
KS3U-014/8 G	92700.CC00	Service 3 unit G1/4 0,5-8 5µm with PC bowl, semi automatic drain and integrated gauge
KS3U-014/8 AM G	92700.CC01	Service 3 unit G1/4 0,5-8 5µm with PC bowl, automatic drain and integrated gauge

Service 3 unit

Service 2 unit

Filter regulator

Filter

Pressure regulator

Lubricator

System extensions

Accessories

Special products