

Prefilter | BGO



Image shows:
91310.CC00

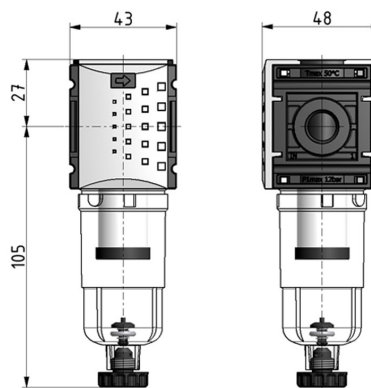
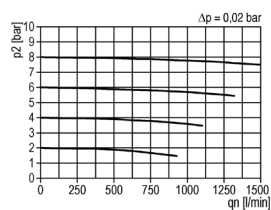
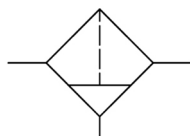


Image shows:
91310.CC00

flow characteristic



symbol



technical data

- description:** prefilter
- medium:** compressed air, neutral gases
- supply pressure P1 min.:** 1,5 bar
- supply pressure P1 max.:** 12 bar
- temperature range:** -10°C - +50°C
- bowl:** PC
- drain:** HA
- mounting:** vertical
- filter element:** 0,3 μm
- particle separation:** 99,999%

accessories



mounting bracket:
[KBW.0-1225](#)



coupling kit wall mounting:
[KKOP.0W](#)

type	part-number	description
KPFI-014	91310.CC00	Prefilter G1/4 0,3μm with PC bowl and semi automatic drain
KPFI-014 AM	91310.CC01	Prefilter G1/4 0,3μm with PC bowl and automatic drain
KPFI-014 M	91310.CC50	Prefilter G1/4 0,3μm with metal bowl and semi automatic drain
KPFI-014 M AM	91310.CC51	Prefilter G1/4 0,3μm with metal bowl and automatic drain