

Finefilter | BG0



Image shows:
91320.CC00

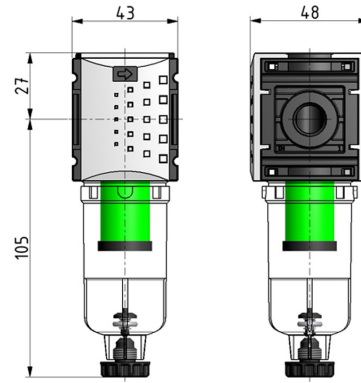
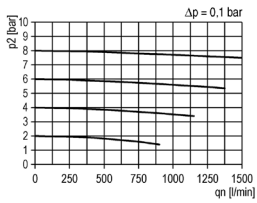
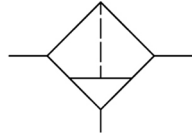


Image shows:
91320.CC00

flow characteristic



symbol



technical data

description: finefilter
medium: compressed air, neutral gases
supply pressure P1 min.: 1,5 bar
supply pressure P1 max.: 12 bar
temperature range: -10°C - +50°C
bowl: PC
drain: HA
mounting: vertical
filter element: 0,01 μm
particle separation: > 0,01 μm 99,999%
residual oil concent: < 0,01 mg/m³ 99,999%

accessories



mounting bracket:
[KBW.0-1225](#)



coupling kit wall mounting:
[KKOP.0W](#)

type	part-number	description
KCFI-014	91320.CC00	Finefilter G1/4 0,01 μm with PC bowl and semi automatic drain
KCFI-014 AM	91320.CC01	Finefilter G1/4 0,01 μm with PC bowl and automatic drain
KCFI-014 M	91320.CC50	Finefilter G1/4 0,01 μm with metal bowl and semi automatic drain
KCFI-014 M AM	91320.CC51	Finefilter G1/4 0,01 μm with metal bowl and automatic drain

Service 3 unit

Service 2 unit

Filter regulator

Filter

Pressure regulator

Lubricator

System extensions

Accessories

Special products