

Filter | BG0



Image shows:
91300.CC00

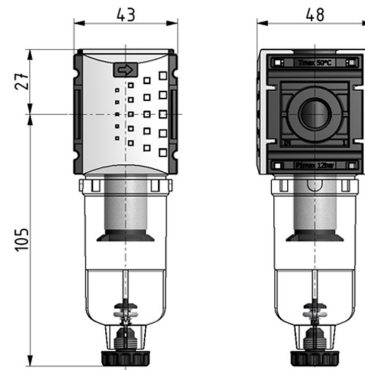
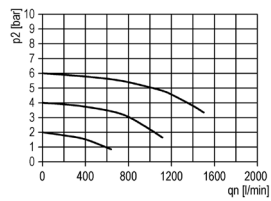
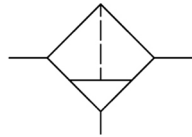


Image shows:
91300.CC00

flow characteristic



symbol



technical data

description: sinter filter centrifugal principle
medium: compressed air, neutral gases
supply pressure P1 min.: 1,5 bar
supply pressure P1 max.: 12 bar
temperature range: -10°C - +50°C
bowl: PC
drain: HA
mounting: vertical
filter element: 5 µm

accessories



mounting bracket:
[KBW.0-1225](#)



coupling kit wall mounting:
[KKOP.0W](#)

type	part-number	description
KFIL-014	91300.CC00	Filter G1/4 5µm with PC bowl and semi automatic drain
KFIL-014 AM	91300.CC01	Filter G1/4 5µm with PC bowl and automatic drain
KFIL-014 M	91300.CC50	Filter G1/4 5µm with metal bowl and semi automatic drain
KFIL-014 M AM	91300.CC51	Filter G1/4 5µm with metal bowl and automatic drain

Service 3 unit

Service 2 unit

Filter regulator

Filter

Pressure regulator

Lubricator

System extensions

Accessories

Special products