

Active carbon filter | BG0



Image shows:
91330.CC00

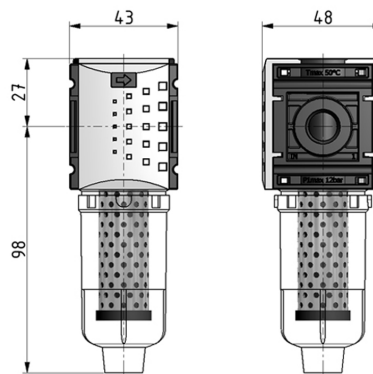
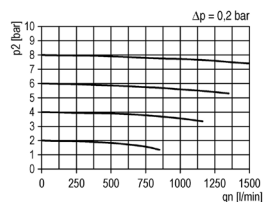
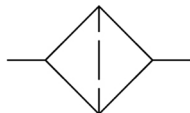


Image shows:
91330.CC00

flow characteristic



symbol



technical data

description: active carbon filter
medium: compressed air, neutral gases
supply pressure P1 min.: 0 bar
supply pressure P1 max.: 12 bar
temperature range: -10°C - +50°C
bowl: PC
mounting: vertical

accessories



mounting bracket:
[KBW.0-1225](#)



coupling kit wall mounting:
[KKOP.0W](#)

type	part-number	description
KAFI-014	91330.CC00	Activated carbon filter G1/4 with PC bowl
KAFI-014 M	91330.CC50	Activated carbon filter G1/4 with metal bowl

Service 3 unit

Service 2 unit

Filter regulator

Filter

Pressure regulator

Lubricator

System extensions

Accessories

Special products