

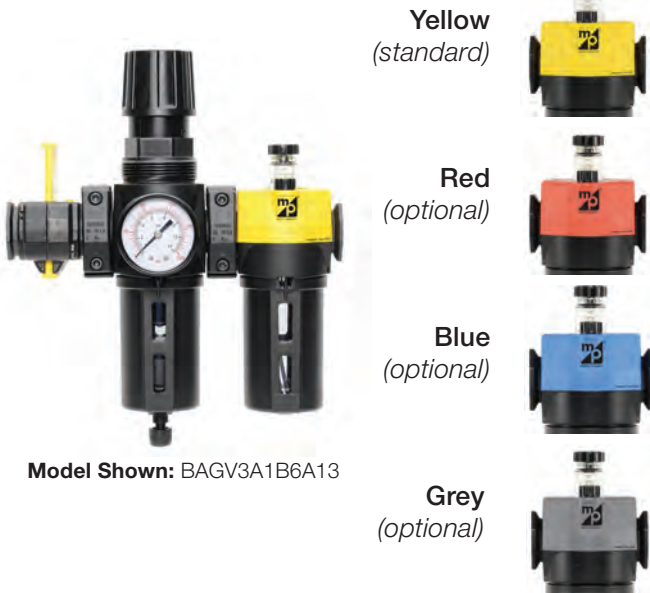
SERIES 350 CFRLs

Integral Filter/Regulator plus Lubricator

BAGV3A1B6A13 Models

Port Sizes: 1/4, 3/8, 1/2

Available Color Caps



Model Shown: BAGV3A1B6A13

SPECIFICATIONS

Ambient/Media Temperature: (without lockout valve)

Plastic Bowl, all drain types: 40° to 125°F (4° to 52°C).

Metal Bowl, manual drains: 40° to 175°F (4° to 79°C).

Metal Bowl, float drains: 40° to 150°F (4° to 66°C).

Body: Zinc.

Dome: Nylon

Bowl: 5.1-Ounce (151-ml) polycarbonate plastic with nylon shatterguard; optional 6.0-Ounce (177-ml) aluminum bowl with clear nylon sight glass. Lubricator bowl only; optional 10-ounce (300-ml) extended aluminum bowl with clear nylon sight glass.

Filter Bowl Drain: Internal float drain; optional manual drain.

Filter Element: 5- μ m-rated polyethylene; optional 5- μ m-rated and 40- μ m-rated bronze element.

Fluid Media: Compressed air.

Filter Inlet Pressure:

Plastic bowl & manual drain: 0-150 psig (0-10 bar).

Plastic bowl & Float drain: 30-150 psig (2-10 bar).

Metal bowl & manual drain: 0-250 psig (0-17 bar).

Metal bowl & Float drain: 30-200 psig (2-14 bar).

Lubricator Inlet Pressure:

Plastic bowl: 150 psig (10 bar) maximum.

Metal bowl: 250 psig (17 bar) maximum.

Outlet Pressure: Adjustable up to 150 psig (10 bar); optional adjusting springs.

Optional Pressure Adjustment Locking Key: Removable.

Pressure Gauge: 0 to 200 psig (14 bar); 1/4 NPT gauge ports front and rear.

Panel Mounting: 2-1/16-inch (52-mm) hole required.

Seals: Nitrile.

Valve: Brass.

Lubricator Cap Color: yellow. Optional red, blue and grey.

Oil Adjustment: External; tamper resistant.

Sight-Feed Dome: Nylon.

GENERAL

- ◆ Modular or inline mounting.
- ◆ Compatible with modular 380 series of products.
- ◆ NPTF port threads; optional BSPP threads.
- ◆ Front mounted modular clamping design with encapsulated screws.
- ◆ Polycarbonate bowl with shatterguard; optional metal bowl with nylon sight glass.
- ◆ Inlet pressure rated at 250 psig (17 bar) with metal bowls up to 175° F. (79° C.).

INTEGRAL FILTER/REGULATOR

- ◆ Designed to remove particulate material down to 5 micron from the airstream to protect downstream equipment.
- ◆ Optional bronze 5- μ m-rated, 20- μ m-rated, and 40- μ m-rated. 5- μ m-rated polyethylene filter elements are standard.
- ◆ Superior water removal up to 98% efficiency - free water.
- ◆ Removal of effluents via manual or automatic float drains.
- ◆ Superior pressure regulation - diaphragm type regulator
- ◆ Self relieving design; large diaphragm sensing ratio; non-relieving optional.
- ◆ Optional pressure adjustment locking key; tamper resistant pressure setting.
- ◆ Pressure gauge.

LUBRICATOR

- ◆ Sight feed design; transparent dome to show oil delivery.
- ◆ External oil delivery adjusting knob, removable for tamper resistance.
- ◆ Color caps available for visual management systems. (Blue, red, yellow and grey). Consult factory for custom colors.

AIR FLOW DATA

See Flow Charts for individual assembly components on preceding pages.

DIMENSIONS inches (mm)

Bowl	A	B †	C	Depth	Weight lb (kg)
Std plastic	8.76 (222.50)	5.54 (140.7)	4.68 (118.9)	2.90 (73.7)	4.7 (2.1)
Std metal	8.76 (222.50)	6.42 (163.1)	4.68 (118.9)	2.90 (73.7)	5.1 (2.3)

Panel Mounting: 2-1/16" (52mm) hole required.

Lockout: Without V380 lockout valve deduct 2.3 (58) from dimension A.

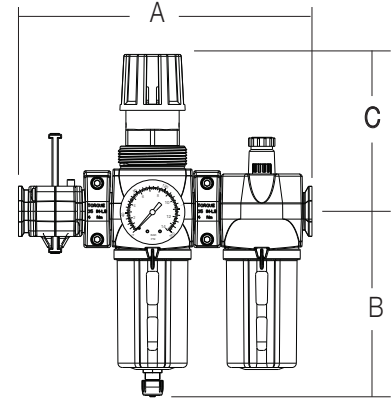
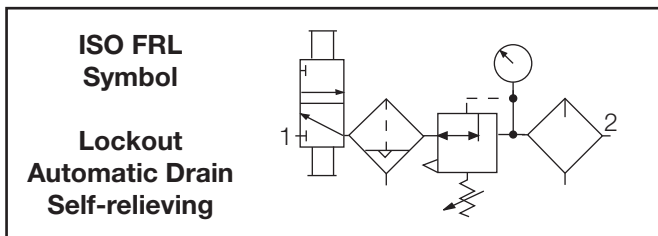
† Bowl (standard) removal clearance: add 3.1 (79)

† Bowl (extended) removal clearance: add 6.1 (155)

Dimensions above reflect less gauge.

REPLACEMENT FILTER ELEMENT KITS

Element Rating	Kit Number
5-µm Polyethylene (Std element)	A60F-03PE5
40-µm Bronze	A60F-03E3
5-µm Bronze	A60F-03E5
20-µm Bronze	A60F-03E4



ORDERING INFORMATION

Change the letters in the sample model number below to specify the CFR + L you want.
To order with some of the other available options, see Ordering Information on page 300.

B A G V 3 A 0 B 6 A 1 3

LUBRICATOR CAP COLOR

- Yellow (standard) B
- Red C
- Blue D
- Grey A

BOWL TYPE

- All standard plastic A
- All standard metal B
- All metal bowls. Standard CFR D
- Extended Lubricator.

VALVE OPTION

- No valve Leave blank
- V380 shutoff valve V

INTEGRAL FILTER/REGULATOR

- CFR350 3
- CFR350-E3 4
- CFR350-A (non-relieving) 5
- CFR350-H (0-200 psig) 6
- CFR350-L (0-50 psig) 8
- CFR350-P (with panel mount nut) .. 9
- CFR350-E4 L

PORT TYPE

- 1/4 NPTF 2
- 3/8 NPTF 3
- 1/2 NPTF 4
- 1/4 BSPP B
- 3/8 BSPP C
- 1/2 BSPP D

REGULATOR GAUGE

- None 0
- 200-BDD (0-200 psi) 1
- 60BDD (0-60 psi) 2

MOUNTING BRACKETS

- None A
- Back brackets J

CFR350 DRAIN TYPE

- Manual..... 0
- Plastic bowl, Float drain 6
(plastic stem).
- Metal bowl, Float drain 8
(Brass stem).

LUBRICATOR

- L350D B
- L350D-Q (with Q-Cap) C