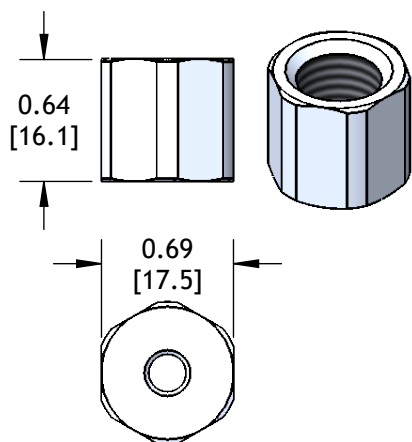


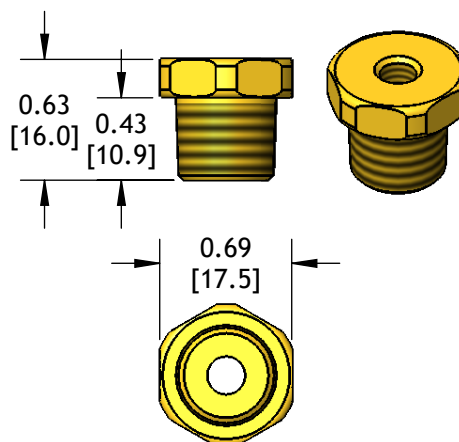
Male Stud Adapters

For use with 32-6MS, 40-6MS, and 50-6MS fittings.



6F-G14F

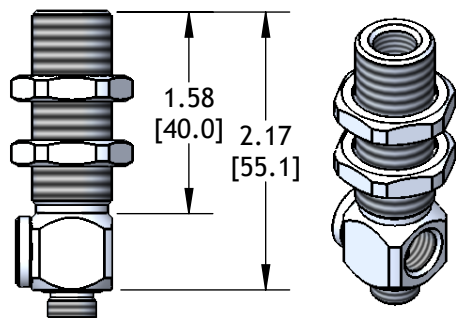
Thread 1:	G 1/4
Thread 2:	M6X1.0
Weight: oz [g]	0.28 [7.9]
PE Filter:	N/A
SS Filter:	N/A



6F-14M

Thread 1:	1/4 NPTF
Thread 2:	M6X1.0
Weight: oz [g]	0.68 [19.3]
PE Filter:	N/A
SS Filter:	N/A

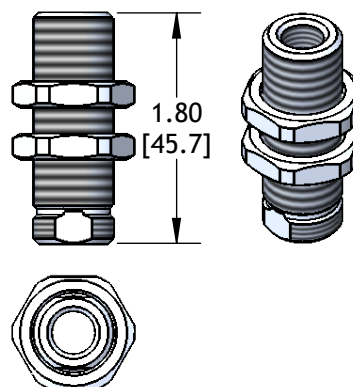
Tool Mount Adapters



TT18-16X40

Port Threads:	G 1/8 NPSF (3)
Post Threads:	M16X1.0
Connection Threads:	G 1/8 NPS
Weight: oz [g]	1.10 [31.2]
PE Filter:	N/A
SS Filter:	N/A

JN-M16X1 - Jam Nut - 2 Included

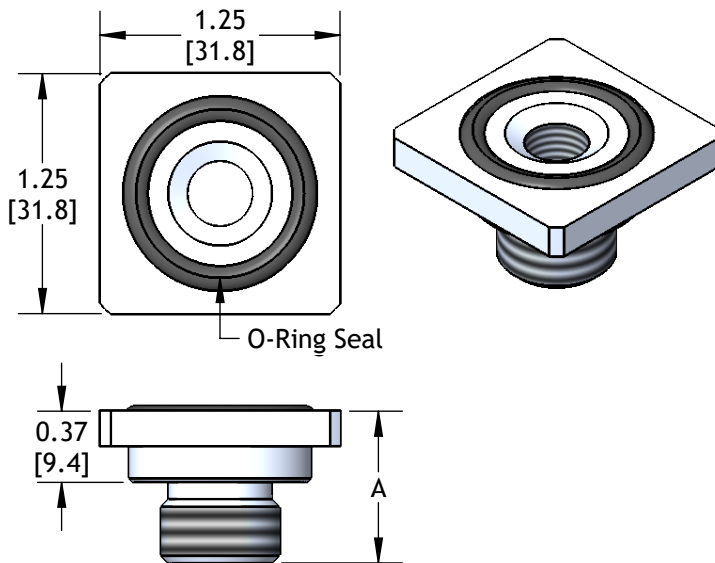


18F-16X40

Port Threads:	G 1/8 NPSF
Post Threads:	M16X1.0
Weight: oz [g]	1.10 [31.2]
PE Filter:	N/A
SS Filter:	N/A

JN-M16X1 - Jam Nut - 2 Included

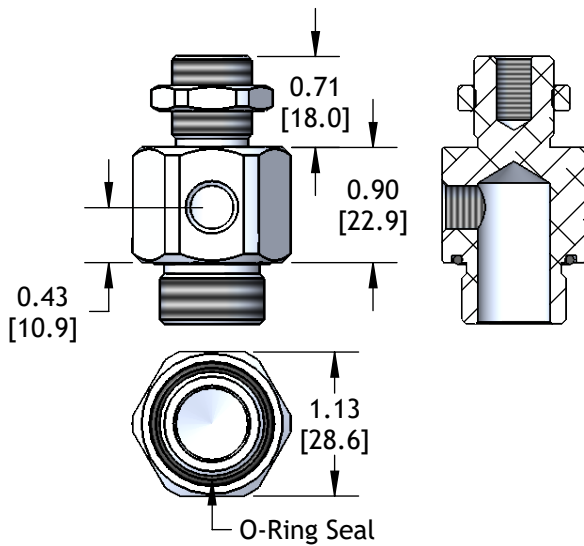
T-Slot Adapters



Adapter	A in [mm]	Thread	Weight oz [g]
TSA-18M	0.61 [15.5]	G 1/8 NPS	0.75 [21.3]
TSA-38M	0.79 [20.0]	3/8 NPSF	0.68 [19.3]
TSA-12M	0.79 [20.0]	G 1/2 NPS	0.59 [16.7]

Side Vacuum Port Adapter

For use with 75-12F, 110-12F, and 150-12F fittings.
JN-M16X1 Jam Nut (1) included



12M-S18F-16M

Port Threads:	G 1/8 NPSF
Post Threads:	M16X1.0
Female Post Threads:	M8X1.25
Connection Threads:	G 1/2 NPSF
Weight: oz [g]	1.80 [50.8]

