

Central filter lubricator unit | --



Image shows:
9.2488.00.000

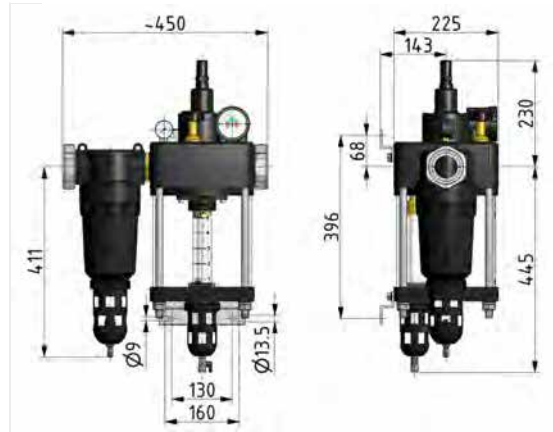
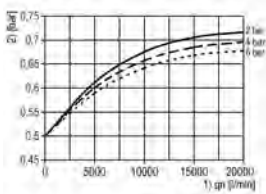
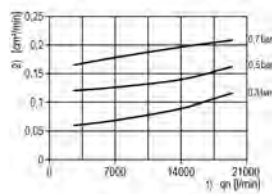


Image shows:
9.2488.00.000

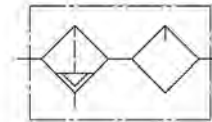
flow characteristic



oil mist activation



symbol



technical data

description: differential pressure regulated central-lubricator
supply pressure P1 max.: 10 bar
temperature range: -10°C - +60°C
mounting: vertical, drain down
fixing: install in pipe line, mounting bracket
operating differential pressure area: 0,3 - 1 bar
recommended operating differential pressure area: 0,5 bar
bowl volume: 5 l
flow range: 250 - 20000 l/min
recommended oil viscosity: 32 c St / 40°C
kind of oil: CL 32 DIN 51517 - ISO VG 32
grade of filtration of prefilter: 60 μm (absolutely)
oil most particle size: 0,3 - 2 μm

accessories

mounting bracket: ZFL88-34



fine filter silencer: [FSD.33](#) + [FSD.34](#) + [FSD.55](#)

type

ZFL.88

part-number

9.2488.00.000

description

Central filter lubricator unit G2

Service 3 unit

Service 2 unit

Filter regulator

Filter

Pressure regulator

Lubricator

System extensions

Accessories

Special products