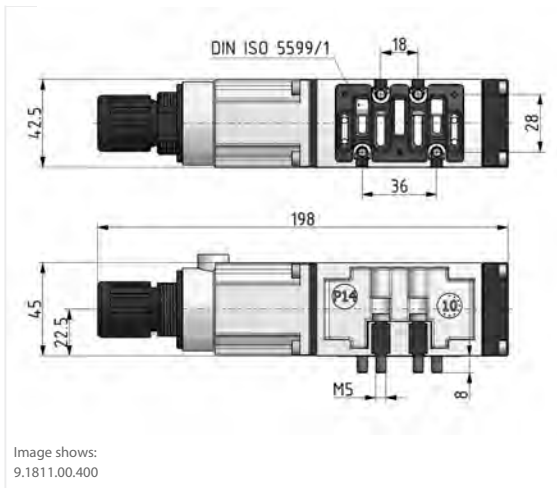
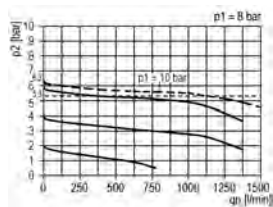


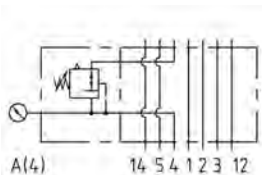
# Regulator plate ISO | ISO 1



### flow characteristic



### symbol



### technical data

**description:** air line regulator with diaphragm and relieving feature  
**supply pressure P1 max.:** 16 bar  
**temperature range:** -10°C - +60°C  
**fixing:** about connection plate  
**series:** ISO 1  
**regulation:** A  
**port size:** regulation on 4 according to VDMA 24563

### accessories

gauge on the back

gauge vertical: [G 40.10/16 S](#)

adapter for gauge with rear connection: ISO.1-12

type	part-number	description
ISO.1 A	9.1811.00.400	Regulator plate ISO.1 (regulating at 4) 0,5-12
ISO.1 A GS	9.1811.00.401	Regulator plate ISO.1 (regulating at 4) 0,5-12 with gauge G 40.10/16 S
ISO.1 B	9.1811.00.600	Regulator plate ISO.1 (regulating at 2) 0,5-12
ISO.1 AB	9.1811.00.800	Regulator plate ISO.1 (regulating at 4/2) 0,5-12