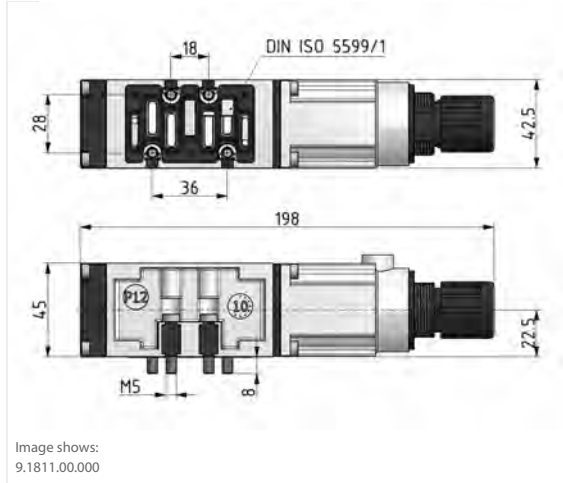


Regulator plate ISO | ISO 1

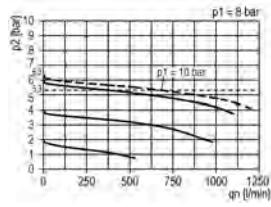
Service 3 unit

Service 2 unit

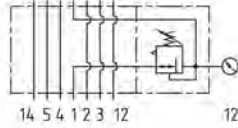


Filter regulator

flow characteristic



symbol



Filter

Pressure regulator

technical data

description: air line regulator with diaphragm and relieving feature
supply pressure P1 max.: 16 bar
temperature range: -10°C - +60°C
fixing: about connection plate
series: ISO 1
regulation: P 12
port size: regulation on 12 according to VDMA 24563

accessories

gauge on the back



gauge vertical: [G 40.10/16 S](#)

adapter for gauge with rear connection: ISO.1-12

Lubricator

System extensions

Accessories

type	part-number	description
ISO.1 P12	9.1811.00.000	Regulator plate ISO.1 (regulating at 1) 0,5-12
ISO.1 P14	9.1811.00.200	Regulator plate ISO.1 (regulating at 1) 0,5-12

Special products